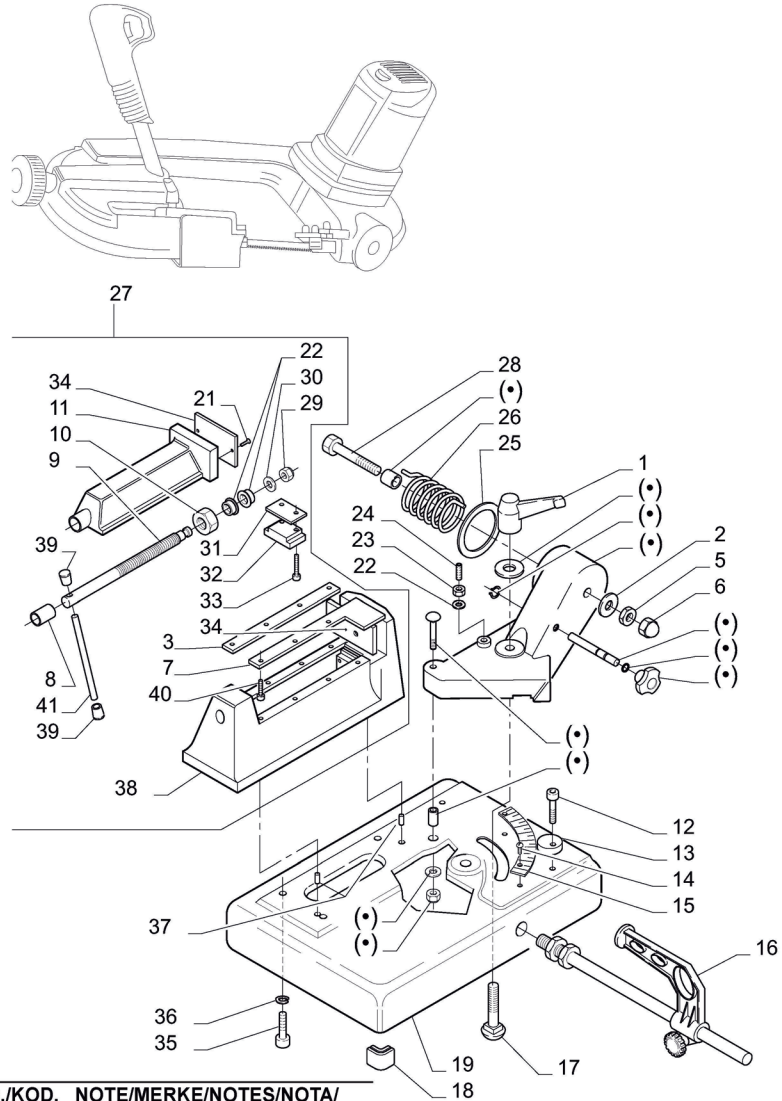


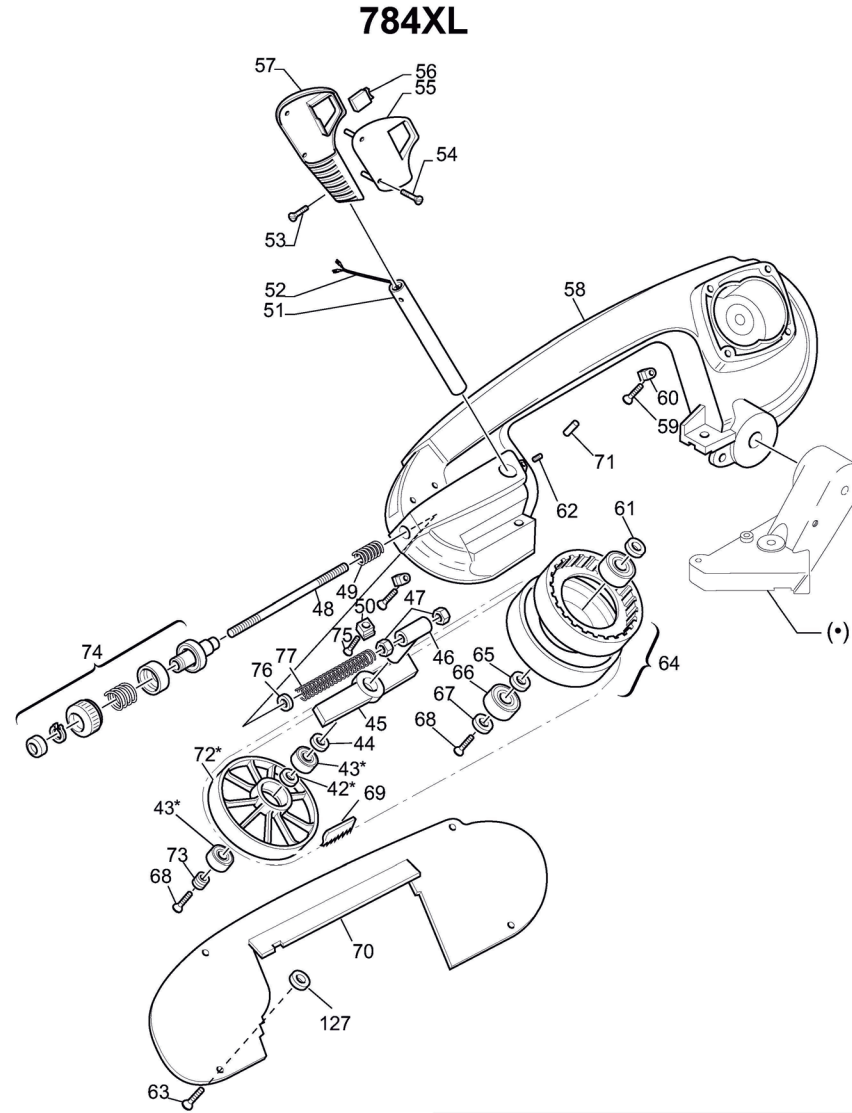
NR. 1



| POS. AS. | COD./KOD. KOODI | NOTE/MERKE/NOTES/NOTA/NOTAS/OBS/HUOMIOT/ANMÄR |
|----------|-----------------|---|
| 1 | 0.14.70.02 | |
| 3 | 5.13.04.27 | |
| 4 | | |
| 5 | 0.10.04.10 | |
| 6 | 0.10.21.10 | |
| 7 | 5.13.04.26 | |
| 8 | 5.06.30.34 | |
| 9 | 5.10.03.21 | |
| 10 | 0.10.01.16 | |
| 11 | 5.04.28.50 | |
| 12 | 0.40.06.05 | |
| 13 | 5.12.40.29 | |
| 14 | 0.40.29.05 | |
| 15 | 5.40.13.19 | |
| 16 | 7.13.05.35 | |
| 17 | 0.40.10.01 | |
| 18 | 5.13.78.42 | |
| 19 | 5.13.37.63 | |
| 20 | 0.10.14.05 | |
| 21 | 0.38.06.10 | |
| 22 | 0.06.30.41 | |
| 23 | 0.10.01.06 | |
| 24 | 0.41.06.13 | |
| 25 | 0.15.51.43 | |
| 26 | 5.08.01.16 | |
| 27 | 7.13.06.70 | |
| 28 | 0.31.10.80 | |
| 29 | 0.10.14.08 | |
| 30 | 0.15.51.50 | |
| 31 | 5.13.04.16 | |
| 32 | 5.13.04.28 | |
| 33 | 0.32.05.20 | |
| 34 | 5.15.26.13 | |
| | 5.15.26.14 | |
| 35 | 0.32.08.16 | |

| POS. AS. | COD./KOD. KOODI | NOTE/MERKE/NOTES/NOTA/NOTAS/OBS/HUOMIOT/ANMÄR |
|----------|------------------|---|
| 36 | 0.12.02.08 | |
| 37 | 0.15.07.01 | |
| 38 | 5.04.28.49 | |
| 39 | 5.15.00.05 | |
| 40 | 0.32.06.20 | |
| 41 | 5.14.20.14 | |
| 42 | 5.12.06.63 | |
| 43 | 0.59.60.02 | |
| 44 | 0.15.51.52 | |
| 45 | 5.13.79.14 | |
| 46 | 5.00.15.72 | |
| 47 | 0.10.01.08 | |
| 48 | 5.10.05.07 | |
| 49 | 0.08.02.56 | |
| 50 | 5.13.07.34 | |
| 51 | 5.14.20.70 | |
| 52 | 5.87.08.47 | |
| 53 | 0.40.03.01 | |
| 54 | 0.42.06.76 | |
| 55 | 5.05.01.22 | |
| 56 | 0.80.23.17 | |
| 57 | 5.05.01.21 | |
| 58 | 5.04.28.48 | |
| 59 | DIN 7500 M4x 15 | |
| 60 | 5.15.41.03 | |
| 61 | 5.12.40.64 | |
| 62 | 0.41.06.57 | |
| 63 | DIN 7500 M5 x 10 | |
| 65 | 5.12.40.65 | |
| 66 | 0.60.62.05 | |
| 67 | 5.12.40.66 | |
| 68 | UNI 5933 M6 x 15 | |
| 64 | 7.21.42.12 | |

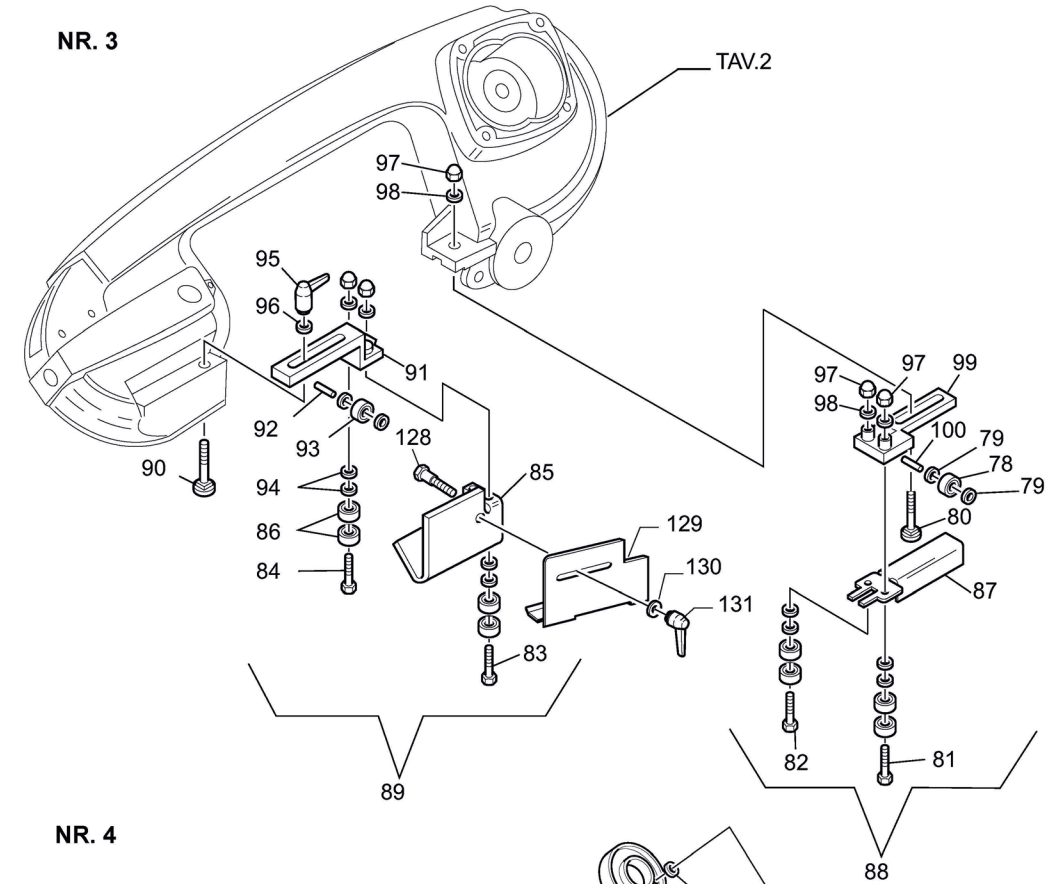
NR. 2



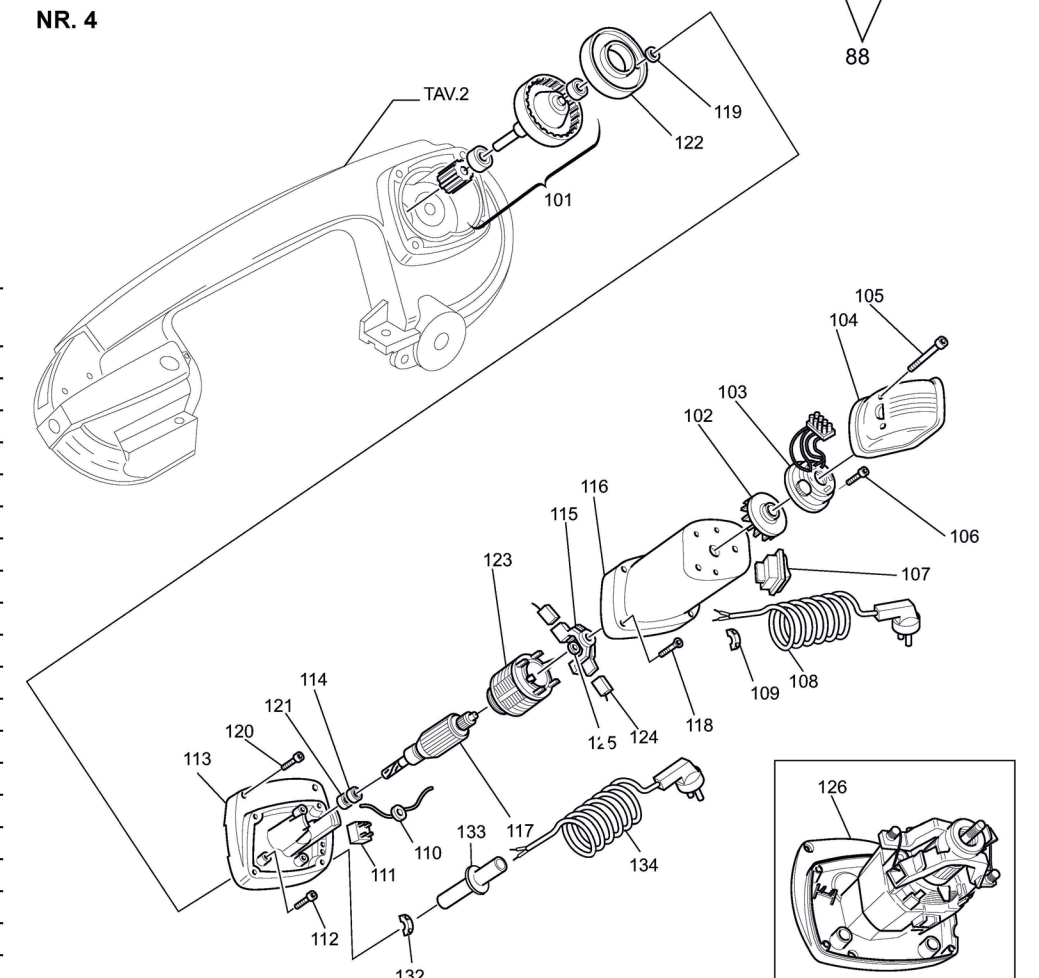
| POS. AS. | COD./KOD. KOODI | NOTE/MERKE/NOTES/NOTA/NOTAS/OBS/HUOMIOT/ANMÄR |
|----------|------------------|---|
| 69 | 3.27.73.78 | |
| 70 | 5.18.17.28 | |
| 71 | 0.17.99.01 | |
| 72 | 5.21.42.25 | |
| 73 | 5.12.40.62 | |
| 74 | 7.13.05.89 | |
| 75 | DIN 7500 M5 x 20 | |
| 76 | 0.12.40.26 | |
| 77 | 5.08.10.05 | |
| 78 | 0.59.06.34 | |
| 79 | 0.12.90.04 | |
| 80 | UNI 5732 M6 x 20 | |
| 81 | 5.10.00.75 | |
| 82 | 5.10.00.74 | |
| 83 | 5.10.00.65 | |
| 84 | 5.10.00.64 | |
| 85 | 5.18.18.44 | |
| 86 | 0.60.06.07 | |
| 87 | 5.18.18.76 | |
| 88 | 7.13.25.15 | |
| 89 | 7.13.25.14 | |
| 90 | UNI 5732 M6 x 30 | |
| 91 | 5.13.09.32 | |
| 92 | 0.17.40.22 | |
| 93 | 0.59.06.24 | |
| 94 | 5.12.06.38 | |
| 95 | 0.14.70.00 | |
| 96 | 0.12.07.06 | |
| 97 | UNI 5721 M6 | |
| 98 | UNI 1751 Ø 6 | |
| 99 | 5.13.07.74 | |
| 100 | 0.17.40.16 | |

784XL

NR. 3



NR. 4



| POS. AS. | COD./KOD. KOODI | NOTE/MERKE/NOTES/NOTA/NOTAS/OBS/HUOMIOT/ANMÄR |
|----------|------------------|---|
| 101 | 7.21.30.16 | |
| 102 | 5.85.01.11 | |
| 103 | 7.82.01.12 | |
| 104 | 5.18.28.57 | |
| 105 | UNI 6954 P6 x 25 | |
| 106 | UNI 6954 P7 x 16 | |
| 107 | 0.80.23.16 | |
| 108 | 5.87.08.53 | |
| 109 | 5.15.45.01 | |
| 110 | 0.81.60.08 | |
| 111 | 0.81.60.04 | |
| 112 | UNI 5931 M5x25 | |
| 113 | 5.18.25.42 | |
| 114 | 0.60.06.08 | |
| 115 | 5.85.00.08 | |
| 116 | 5.18.28.56 | |
| 117 | 7.01.31.54 | |
| 118 | 0.40.04.09 | |
| 119 | 5.06.30.40 | |
| 120 | UNI 5931 M5x18 | |
| 121 | 0.60.60.01 | |
| 122 | 5.18.20.06 | |
| 123 | 5.02.41.21 | |
| 124 | 5.85.01.12 | |
| 125 | 5.06.10.38 | |
| 126 | 7.80.18.47 | |
| 127 | 0.12.30.04 | |

| POS. AS. | COD./KOD. KOODI | NOTE/MERKE/NOTES/NOTA/NOTAS/OBS/HUOMIOT/ANMÄR |
|----------|-----------------|---|
| 128 | 0.40.06.01 | |
| 129 | 5.18.18.64 | |
| 130 | 0.12.07.06 | |
| 131 | 0.14.70.00 | |
| 132 | 5.15.45.01 | |
| (*) | 7.13.36.58(*) | |
| (*) | 7.13.25.04 (*) | |