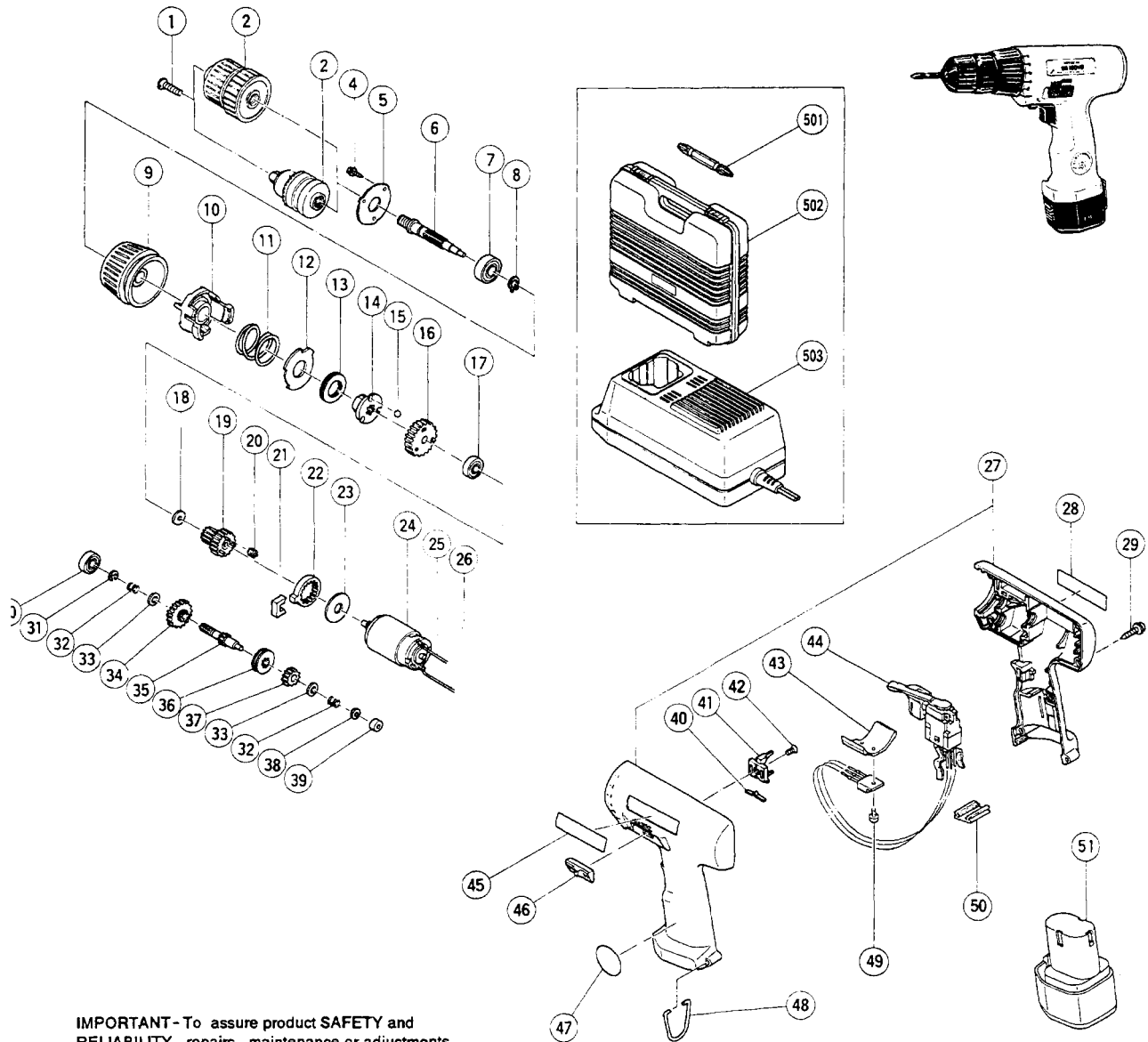


HITACHI CORDLESS DRIVER DRILL Model DS 10DVB

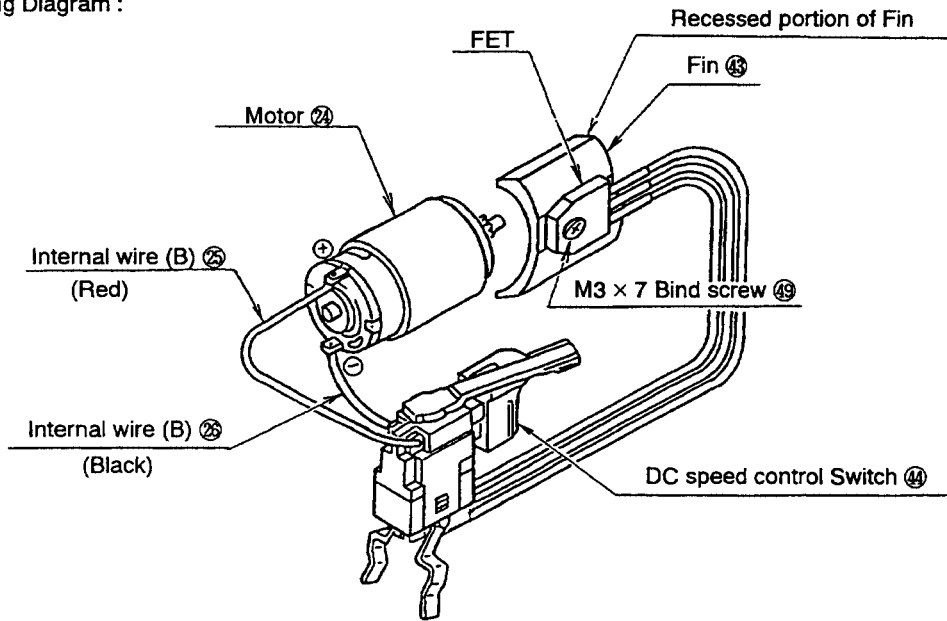


IMPORTANT - To assure product **SAFETY** and **RELIABILITY**, repairs, maintenance or adjustments should be performed by **HITACHI Service Centers** or other qualified service organizations. Always use **HITACHI replacement parts**.

| ITEM NO. | PART NO. | NO. USED | DESCRIPTION | SUPPLY Q'TY | ITEM NO. | PART NO. | NO. USED | DESCRIPTION | SUPPLY Q'TY |
|----------|----------|----------|---|-------------|----------|----------|----------|-----------------------------|-------------|
| 1 | 992-077 | 1 | FLAT HD. SCREW (LEFT HAND) M5X17 | | 14 | 301-743 | 1 | BALL HOLDER | |
| 2 | 303-915 | 1 | DRILL CHUCK 10TLRA - N W/O CHUCK WRENCH | | 15 | 959-149 | 3 | STEEL BALL D4.76 | 10 |
| 4 | 984-327 | 3 | TAPPING SCREW (W/SP. WASHER) D3X8 | | 16 | 301-742 | 1 | FINAL GEAR | |
| 5 | 991-663 | 1 | PLATE | | 17 | 626-VVM | 1 | BALL BEARING 626VVMC2ERPS2S | |
| 6 | 301-741 | 1 | SPINDLE | | 18 | 301-730 | 1 | WASHER | |
| 7 | 600-0VV | 1 | BALL BEARING 6000VVCMS2S | | 19 | 306-032 | 1 | GEAR HOLDER | |
| 8 | 939-540 | 1 | RETAINING RING FOR D10 SHAFT | 10 | 20 | 301-725 | 3 | IDLE GEAR | 3 |
| 9 | 308-034 | 1 | CAP | | 21 | 301-978 | 1 | DAMPER | |
| 10 | 303-722 | 1 | SPRING HOLDER | | 22 | 301-726 | 1 | RING GEAR | |
| 11 | 308-201 | 1 | SPRING | | 23 | 301-727 | 1 | WASHER | |
| 12 | 301-745 | 1 | THRUST PLATE | | 24 | 306-036 | 1 | MOTOR | |
| 13 | 301-744 | 1 | THRUST NEEDLE BEARING | | 25 | 306-040 | 1 | INTERNAL WIRE (B) | |
| | | | | | 26 | 306-041 | 1 | INTERNAL WIRE (B) | |
| | | | | | 27 | 308-202 | 1 | HOUSING (A).(B) SET | |

HITACHI CORDLESS DRIVER DRILL Model DS 10DVB

Wiring Diagram :



Tighten each fastening screw with the appropriate tightening torque indicated below.

- M4 × 8 Flat Hd. Screw ④2.17~3.04 in-lbs (2.5~3.5 kg-cm)
- D3 × 8 Tapping Screws ④6.9~10.4 in-lbs (8~12 kg-cm)
- D3 × 16 Tapping Screws ②6.9~10.4 in-lbs (8~12 kg-cm)
- M3 × 7 Bind Screw ④2.6~4.3 in-lbs (3~5 kg-cm)
- M5 × 17 Flat Hd. Screw ①26~32 in-lbs (30~37 kg-cm)
- Keyless Chuck ②112~147 in-lbs (130~170 kg-cm)

| ITEM NO. | PART NO. | NO. USED | DESCRIPTION | SUPPLY QTY | ITEM NO. | PART NO. | NO. USED | DESCRIPTION | SUPPLY QTY |
|----------|----------|----------|---|------------|----------|----------|----------|-------------------------------|------------|
| 28 | 308-815 | 1 | NAME PLATE | | 42 | 949-321 | 1 | FLAT HD. SCREW M4X8 | 10 |
| 29 | 991-872 | 6 | TAPPING SCREW (W/WASHER) D3X16 | | 43 | 992-081 | 1 | FIN | |
| 30 | 607-MC3 | 1 | BALL BEARING 607MC3 | | 44 | 308-038 | 1 | DC SPEED CONTROLL SWITCH | |
| 31 | 673-489 | 1 | RETAINING RING (E - TYPE) FOR D5 SHAFT | | 45 | | 1 | HITACHI LABEL | |
| 32 | 301-738 | 2 | SPRING (A) | | 48 | 308-035 | 1 | SHIFT KNOB | |
| 33 | 301-739 | 2 | WASHER | | 47 | 987-135 | 1 | MARK PLATE | |
| 34 | 301-735 | 1 | LOW SPEED GEAR | | 48 | 980-838 | 1 | HOOK | |
| 35 | 301-733 | 1 | SECOND PINION | | 49 | 308-039 | 1 | BIND SCREW M3X7 | |
| 36 | 301-736 | 1 | CLUTCH PLATE | | 50 | 991-886 | 1 | TERMINAL SUPPORT | |
| 37 | 301-734 | 1 | HIGH SPEED GEAR | | 51 | 308-132 | 1 | BATTERY EB 7 (W/ENGLISH N.P.) | |
| 38 | 301-737 | 1 | WASHER | | 501 | 955-854 | 1 | + DRIVER BIT (A) NO.2 70L | |
| 39 | 994-877 | 1 | METAL D4X8 | | 502 | 308-031 | 1 | CASE | |
| 40 | 980-829 | 1 | SHIFT SPRING | | 503 | | 1 | CHARGER UC12Y | |
| 41 | 301-749 | 1 | SHIFT ARM | | | | | | |