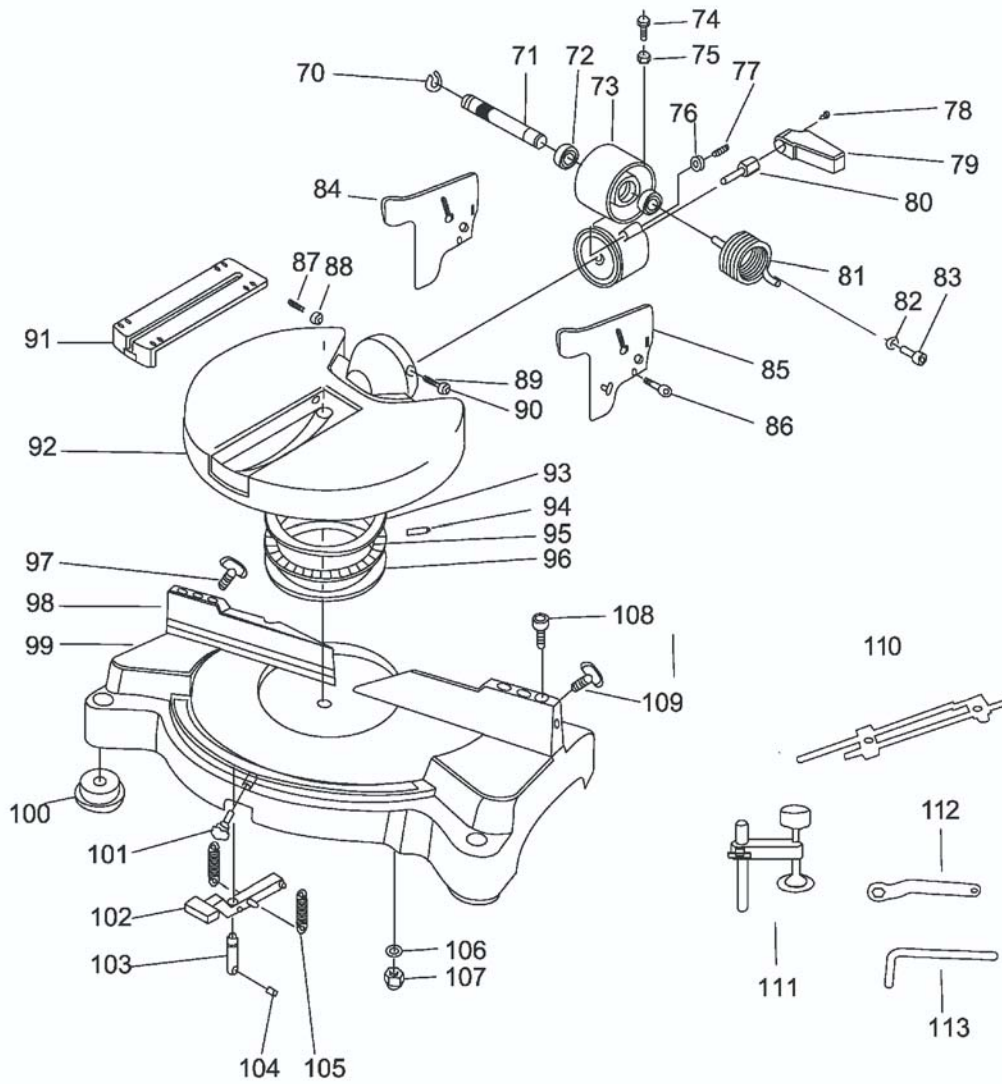
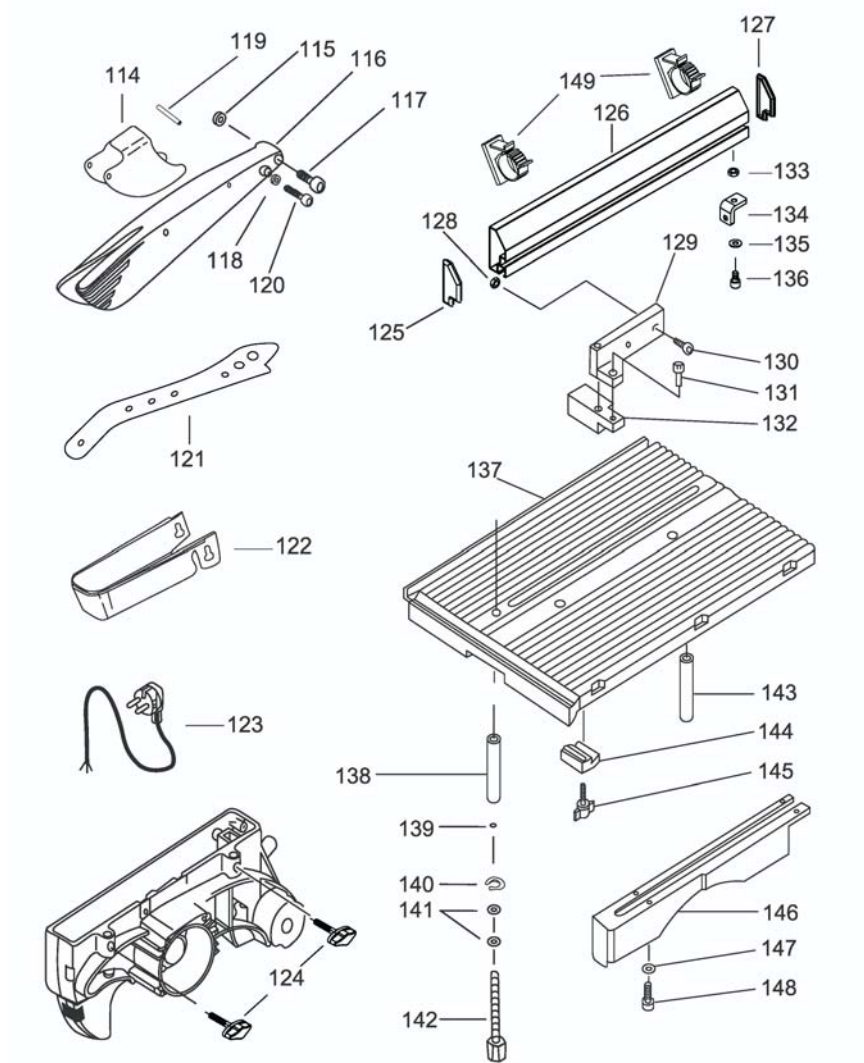


| POS. | COD./KOD. | NOTE/MERKE/NOTES/ NOTA/NOTAS | POS. | COD./KOD. | NOTE/MERKE/NOTES/ NOTA/NOTAS |
|-------|------------|---------------------------------|------|------------|---------------------------------|
| NR. 1 | | | 26 | TR250i-026 | |
| 1 | TR250i-001 | | 27 | TR250i-027 | |
| 2 | TR250i-002 | | 28 | TR250i-028 | |
| 3 | TR250i-003 | | 29 | TR250i-029 | |
| 4 | TR250i-004 | | 30 | TR250i-030 | |
| 5 | TR250i-005 | | 31 | TR250i-031 | |
| 6 | TR250i-006 | | 32 | TR250i-032 | |
| 7 | TR250i-007 | | 33 | TR250i-033 | |
| 8 | TR250i-008 | | 34 | TR250i-034 | |
| 9 | TR250i-009 | | 35 | TR250i-035 | |
| 10 | TR250i-010 | | 36 | TR250i-036 | |
| 11 | TR250i-011 | | 37 | TR250i-037 | |
| 12 | TR250i-012 | | 38 | TR250i-038 | |
| 13 | TR250i-013 | | 39 | TR250i-039 | |
| 14 | TR250i-014 | | 40 | TR250i-040 | |
| 15 | TR250i-015 | | 41 | TR250i-041 | |
| 16 | TR250i-016 | | 42 | TR250i-042 | |
| 17 | TR250i-017 | | 43 | TR250i-043 | |
| 18 | TR250i-018 | | 44 | TR250i-044 | |
| 19 | TR250i-019 | | 45 | TR250i-045 | |
| 20 | TR250i-020 | | 46 | TR250i-046 | |
| 21 | TR250i-021 | | 47 | TR250i-047 | |
| 22 | TR250i-022 | | 48 | TR250i-048 | |
| 23 | TR250i-023 | | 49 | TR250i-049 | |
| 24 | TR250i-024 | | 50 | TR250i-050 | |
| 25 | TR250i-025 | | 51 | TR250i-051 | |



| POS. | COD./KOD. | NOTE/MERKE/NOTES/ NOTA/NOTAS |
|--------------|------------|---------------------------------|
| 52 | TR250i-052 | |
| 53 | TR250i-053 | |
| 54 | TR250i-054 | |
| 55 | TR250i-055 | |
| 56 | TR250i-056 | |
| 57 | TR250i-057 | |
| 58 | TR250i-058 | |
| 59 | TR250i-059 | |
| 60 | TR250i-060 | |
| 61 | TR250i-061 | |
| 62 | TR250i-062 | |
| 63 | TR250i-063 | |
| 64 | TR250i-064 | |
| 65 | TR250i-065 | |
| 66 | TR250i-066 | |
| 67 | TR250i-067 | |
| 68 | TR250i-068 | |
| 69 | TR250i-069 | |
| NR. 2 | | |
| 70 | TR250i-070 | |
| 71 | TR250i-071 | |
| 72 | TR250i-072 | |
| 73 | TR250i-073 | |
| 74 | TR250i-074 | |
| 75 | TR250i-075 | |

| POS. | COD./KOD. | NOTE/MERKE/NOTES/ NOTA/NOTAS |
|------|------------|---------------------------------|
| 76 | TR250i-076 | |
| 77 | TR250i-077 | |
| 78 | TR250i-078 | |
| 79 | TR250i-079 | |
| 80 | TR250i-080 | |
| 81 | TR250i-081 | |
| 82 | TR250i-082 | |
| 83 | TR250i-083 | |
| 84 | TR250i-084 | |
| 85 | TR250i-085 | |
| 86 | TR250i-086 | |
| 87 | TR250i-087 | |
| 88 | TR250i-088 | |
| 89 | TR250i-089 | |
| 90 | TR250i-090 | |
| 91 | TR250i-091 | |
| 92 | TR250i-092 | |
| 93 | TR250i-093 | |
| 94 | TR250i-094 | |
| 95 | TR250i-095 | |
| 96 | TR250i-096 | |
| 97 | TR250i-097 | |
| 98 | TR250i-098 | |
| 99 | TR250i-099 | |
| 100 | TR250i-100 | |
| 101 | TR250i-101 | |



| POS. | COD./KOD. | NOTE/MERKE/NOTES/ NOTA/NOTAS | POS. | COD./KOD. | NOTE/MERKE/NOTES/ NOTA/NOTAS |
|--------------|------------|---------------------------------|------|------------|---------------------------------|
| 102 | TR250i-102 | | 126 | TR250i-126 | |
| 103 | TR250i-103 | | 127 | TR250i-127 | |
| 104 | TR250i-104 | | 128 | TR250i-128 | |
| 105 | TR250i-105 | | 129 | TR250i-129 | |
| 106 | TR250i-106 | | 130 | TR250i-130 | |
| 107 | TR250i-107 | | 131 | TR250i-131 | |
| 108 | TR250i-108 | | 132 | TR250i-132 | |
| 109 | TR250i-109 | | 133 | TR250i-133 | |
| 110 | TR250i-110 | | 134 | TR250i-134 | |
| 111 | TR250i-111 | | 135 | TR250i-135 | |
| 112 | TR250i-112 | | 136 | TR250i-136 | |
| 113 | TR250i-113 | | 137 | TR250i-137 | |
| NR. 3 | | | 138 | TR250i-138 | |
| 114 | TR250i-114 | | 139 | TR250i-139 | |
| 115 | TR250i-115 | | 140 | TR250i-140 | |
| 116 | TR250i-116 | | 141 | TR250i-141 | |
| 117 | TR250i-117 | | 142 | TR250i-142 | |
| 118 | TR250i-118 | | 143 | TR250i-143 | |
| 119 | TR250i-119 | | 144 | TR250i-144 | |
| 120 | TR250i-120 | | 145 | TR250i-145 | |
| 121 | TR250i-121 | | 146 | TR250i-146 | |
| 122 | TR250i-122 | | 147 | TR250i-147 | |
| 123 | TR250i-123 | | 148 | TR250i-148 | |
| 124 | TR250i-124 | | 149 | TR250i-149 | |
| 125 | TR250i-125 | | | | |