

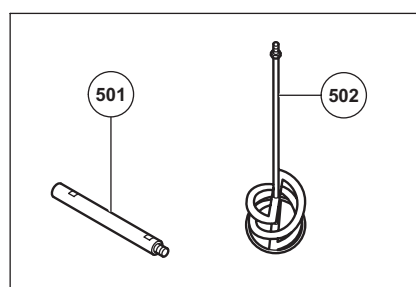
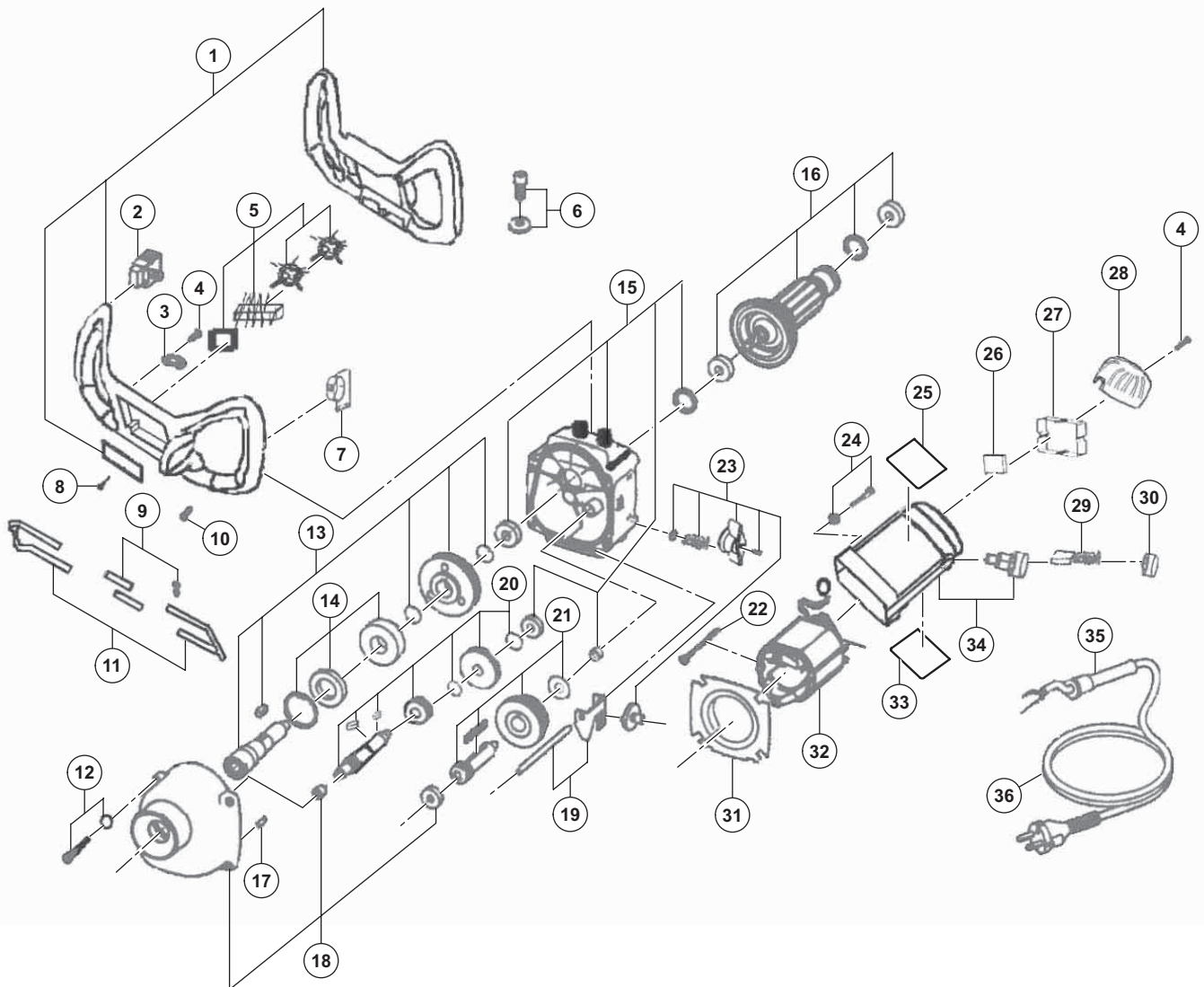
ELECTRIC TOOL PARTS LIST

MIXER

2010-12-22

Model UM 16VST

(E1)



PARTS

UM 16VST

ITEM NO.	CODE NO.	DESCRIPTION	NO. USED	REMARKS
1	333-604	HANDLE SET	1	
2	333-605	SWITCH	1	
3	333-609	CLAMP	1	
4	333-610	SCREW ST3.5 X 16 (4 PCS.)	4	
5	333-611	INDUCTANCE UNIT	1	
6	333-606	SCREW M8 X 16 (4 PCS.)	4	
7	333-612	CIRCUITRY BOARD	1	
8	333-614	SCREW ST3.9 X 25 (5 PCS.)	1	
9	333-608	SCREW PLATE SET M6 X 20 (2 SET)	2	
10	333-613	SCREW ST3.9 X 20 (5 PCS.)	14	
11	333-607	HOB	1	
12	333-615	SCREW M5 X 20 (4 PCS.)	4	
13	333-617	SPINDLE GEAR SET	1	
14	333-618	BEARING WITH COVER	1	
15	333-619	GEAR BOX SET	1	
16	333-625	ARMATURE (UM 16VST)	1	
17	333-620	PIN (2 PCS.)	2	
18	333-616	BEARING COVER SET	1	
19	333-623	PIVOT SET	1	
20	333-621	SECOND PINION SET	1	
21	333-622	THIRD PINION SET	1	
22	333-627	SCREW ST4.2 X 70 (2 PCS.)	2	
23	333-624	LEVER SET	1	
24	333-630	SCREW M5 X 25 (4 PCS.)	4	
25		HITACHI LABEL	1	
26	333-633	CONTROLLER	1	
27	333-634	PROTECTIVE GUARD	1	
28	333-635	REAR COVER	1	
29	333-631	CARBON BRUSH (2 PCS.)	2	
30	333-632	BRUSH CAP (2 PCS.)	2	
31	333-626	FAN GUIDE	1	
32	333-628	STATOR (UM 16VST)	1	
33		NAME PLATE	1	
34	333-629	MOTOR BOX SET	1	
35	333-636	SLEEVE	1	
36	333-637	CORD	1	

STANDARD ACCESSORIES

ITEM NO.	CODE NO.	DESCRIPTION	NO. USED	REMARKS
501	333-638	EXTENSION BAR	1	
502	333-639	STIRRER D160	1	