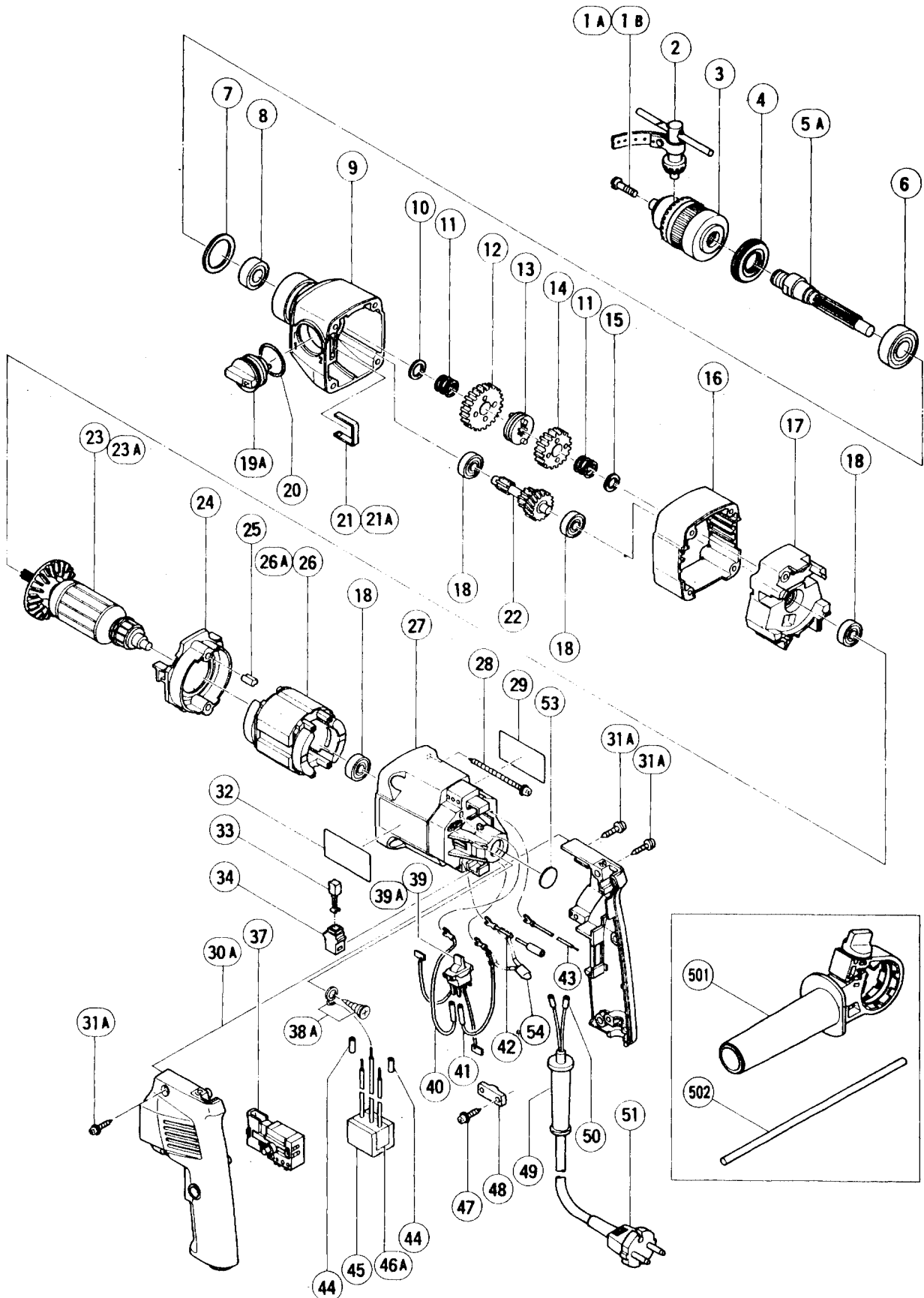


ELECTRIC TOOL PARTS LIST**■ DRILL**
Model D 13VB**1993 · 3 · 3**
(E3)

PARTS

D 13VB

ITEM NO.	CODE NO.	DESCRIPTION	NO. USED	REMARKS	
1A	981-122	SPECIAL SCREW M6X22	1	TILL 6.1989	
1B	995-344	FLAT HD. SCREW (A) (LEFT HAND) M6X25	1	SINCE 7.1989	
2	930-515	CHUCK WRENCH 10G	1		
3	950-275	DRILL CHUCK 13VLR	1	INCLUD.2	
4	995-316	SEAL LOCK CAP	1		
5A	994-381	SPINDLE	1		
6	620-2DD	BALL BEARING 6202DDUCMPS2S	1		
7	994-347	WASHER (A)	1		
8	994-349	STOP RING	1		
9	994-394	GEAR COVER	1		
10	994-382	WASHER (B)	1		
11	994-389	SPRING	2		
12	994-383	LOW SPEED GEAR	1		
13	994-388	CLUTCH DISC	1		
14	994-384	HIGH SPEED GEAR	1		
15	971-657	WASHER	1		
16	994-380	OUTER COVER	1		
17	994-345	INNER COVER	1		
18	608-VVM	BALL BEARING 608VVMC2EPS2L	4		
19A	994-395	SHIFT LEVER ASS'Y	1	INCLUD.21A	
20	994-452	O - RING	1		
21	994-386	SHIFT SPRING	1	TILL 3.1986	
21A	994-396	SHIFT SPRING	1	SINCE 4.1986	
22	994-387	SECOND PINION	1		
*	23	360-029U	ARMATURE ASS'Y 110V - 127V	1	INCLUD.18
*	23	360-029F	ARMATURE 230V - 240V	1	
*	23A	360-029E	ARMATURE 220V - 230V	1	(230V FOR NZL ONLY)
	24	994-342	FAN GUIDE	1	
	25	994-343	RUBBER BUSHING	2	
*	26	340-030J	STATOR (B) 110V - 127V	1	
*	26	340-030H	STATOR (B) 230V - 240V	1	
*	26A	340-030G	STATOR (B) 220V - 230V	1	(230V FOR NZL ONLY)
	27	994-340	HOUSING	1	
	28	994-391	TAPPING SCREW (W/WASHER) D5X60	4	
	29		NAME PLATE	1	
	30A	994-362	HANDLE (A),(B) SET	1	
	31A	984-750	TAPPING SCREW (W/FLANGE) D4X16	7	
	32	994-390	HITACHI LABEL	1	
	33	999-041	CARBON BRUSH (1 PAIR)	2	
	34	955-203	BRUSH HOLDER	2	
*	37	994-392	SPEED CONTROL SWITCH (2P PILLAR TYPE)	1	110V - 127V
*	37	994-393	SPEED CONTROL SWITCH (2P PILLAR TYPE)	1	220V - 240V
*	38A	995-323	EARTH TERMINAL	1	FOR GBR,SAF,ITA,FRG,FRA,SUI,DEN,SWE, NOR,HOL,AUT,NZL,FIN
*	39	994-454	REVERSING SWITCH	1	
*	39	994-455	REVERSING SWITCH	1	FOR FIN
*	39	995-317	REVERSING SWITCH	1	FOR NZL
*	39A	995-320	REVERSING SWITCH	1	FOR GBR,SAF,ITA,FRG,FRA,DEN,SWE,NOR, SUI
*	39A	995-321	REVERSING SWITCH	1	FOR HOL,AUT
*	40	994-462	INTERNAL WIRE (A) (BROWN)	1	

*: ALTERNATIVE PARTS

PARTS

D13VB

ITEM NO.	CODE NO.	DESCRIPTION	NO. USED	REMARKS
* 40	994-464	INTERNAL WIRE (A) (BROWN)	1	FOR USA
* 41	994-459	INTERNAL WIRE (A) (BLUE)	1	
* 41	994-461	INTERNAL WIRE (A) (BLUE)	1	FOR USA
* 42	994-467	INTERNAL WIRE (C) (BLACK)	1	
* 42	994-469	INTERNAL WIRE (C) (BLACK)	1	FOR USA
* 43	994-466	INTERNAL WIRE (C) (RED)	1	FOR PRODUCT W/O NOISE SUPPRESSOR
* 43	994-465	INTERNAL WIRE (C) (RED)	1	FOR USA
* 44	981-373	TUBE (D)	2	FOR NOISE SUPPRESSOR
* 45	930-153	SUPPORT (B)	1	FOR NOISE SUPPRESSOR
* 46A	995-328	NOISE SUPPRESSOR ASS'Y	1	INCLUD.38A,44,45 FOR GBR,SAF,FRG,FRA, HOL,SWE,AUT,NOR,NZL,FIN
* 46A	995-327	NOISE SUPPRESSOR ASS'Y	1	INCLUD.38A,44,45 FOR ITA,DEN
* 46A	995-328	NOISE SUPPRESSOR ASS'Y	1	INCLUD.38A,44,45 FOR SUI
47	984-750	TAPPING SCREW (W/FLANGE) D4X16	2	
48	960-266	CORD CLIP	1	
* 49	953-327	CORD ARMOR D8.8	1	
* 49	938-051	CORD ARMOR D10.1	1	
* 50	981-373	TUBE (D)	2	FOR CORD
* 51	500-212Z	CORD	1	(CORD ARMOR D8.8)
* 51	500-223Z	CORD	1	(CORD ARMOR D10.1) FOR SIN,KUW
* 51	500-226Z	CORD	1	(CORD ARMOR D8.8) FOR NZL,NGU,AUS
* 51	500-231Z	CORD	1	(CORD ARMOR D8.8) FOR GBR,SAF
* 51	500-234Z	CORD	1	(CORD ARMOR D8.8) FOR ITA,FRG,FRA, HOL,DEN,FIN,AUT
* 51	500-240Z	CORD	1	(CORD ARMOR D8.8) FOR USA
* 51	500-245Z	CORD	1	(CORD ARMOR D10.1) FOR SYR
* 51	500-395Z	CORD	1	(CORD ARMOR D8.8) FOR SUI
* 51	500-409Z	CORD	1	(CORD ARMOR D8.8) FOR SUR,INA,SWE, NOR
* 53	994-453	BEARING SEAL	1	FOR GBR,SAF,ITA,FRG,FRA,SUI,DEN,SWE, NOR,HOL,AUT
* 54	995-322	CR UNIT	1	FOR GBR,SAF,ITA,FRG,FRA,DEN,SWE,NOR, HOL,AUT,SUI

STANDARD ACCESSORIES

ITEM NO.	CODE NO.	DESCRIPTION	NO. USED	REMARKS
501	995-310	SIDE HANDLE	1	
502	971-677	STOPPER	1	

* : ALTERNATIVE PARTS

