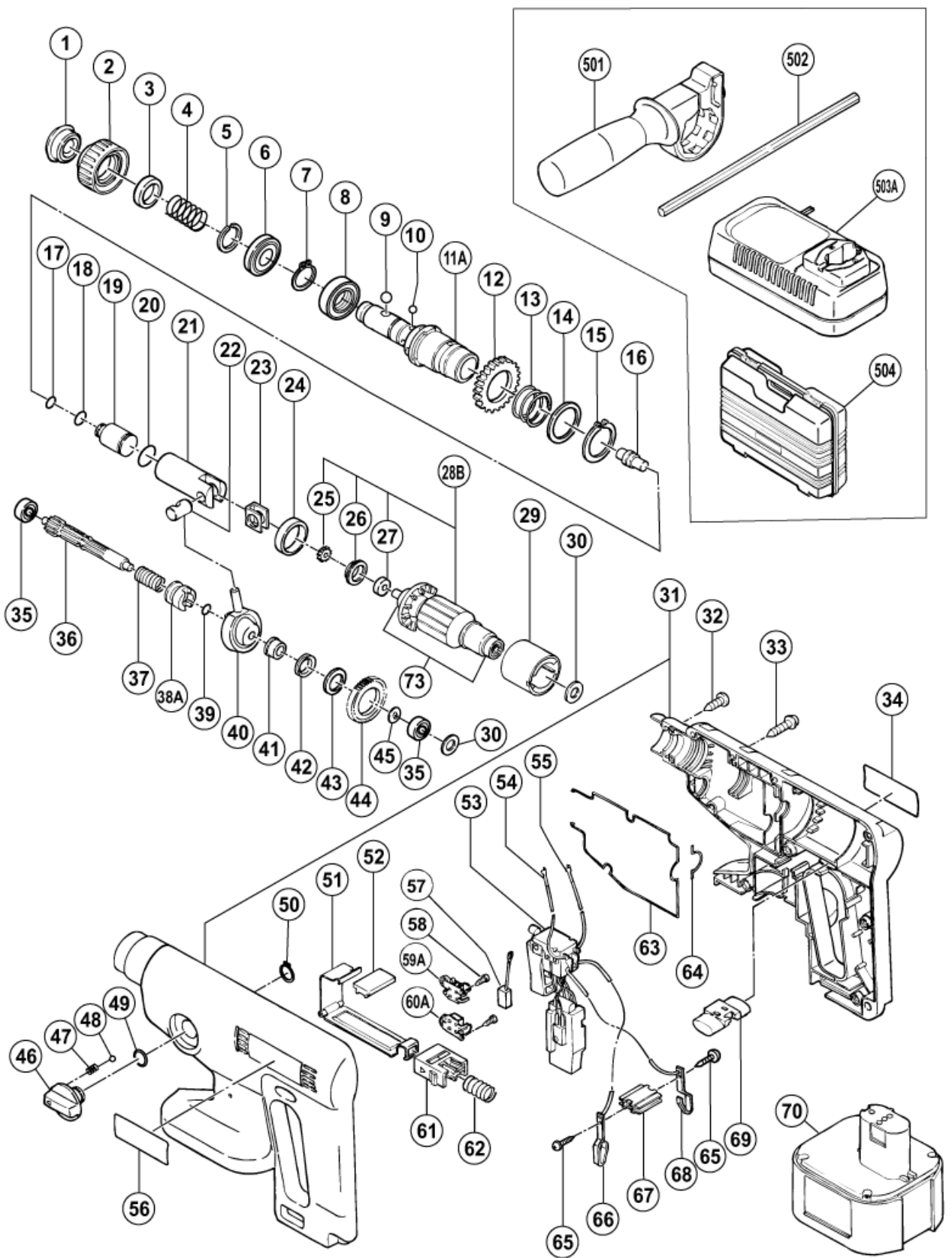


n°	Artikel	Aantal gebruikt
1	306345 FRONT CAP	1
2	306992 GRIP	1
3	306343 BALL HOLDER	1
4	306342 HOLDER SPRING	1
5	306993 RETAINING RING	1
6	301683 OIL SEAL	1
7	939547 RETAINING RING FOR D20 SHAFT (10 PCS.)	1
8	6904CM BALL BEARING 6904CM	1
9	959156 STEEL BALL D7.0 (10 PCS.)	1
10	959154 STEEL BALL D5.556 (10 PCS.)	3
11A	306987 CYLINDER	1
12	303974 SECOND GEAR	1
13	316135 SPRING (A)	1
14	301679 WASHER (A)	1
15	948310 RETAINING RING FOR D30 SHAFT	1
16	301671 SECOND HAMMER	1
17	301672 O-RING (B)	1
18	303972 O-RING (D)	1
19	315148 STRIKER	1
20	301670 ORING (A)	1
21	301668 PISTON	1
22	301666 PISTON PIN	1
23	303977 WASHER (C)	1
24	303976 METAL	1
25	316139 PINION	1
26	316148 SLEEVE	1
27	316149 FELT	1
28B	360494 ARMATURE SET DC 24V	1
29	316153 MAGNET	1
30	948213 WASHER (B) D19	2
31	316957 HOUSING (A).(B) SET	1
32	303970 TAPPING SCREW (CLASS 2) D4X14	2
33	301653 TAPPING SCREW (W/FLANGE) D4X20 (BLACK)	9
34	NAME PL	1
35	626VVM BALL BEARING 626VVC2PS2L	2
36	306989 SECOND PINION	1
37	303979 CLUTCH SPRING	1
38A	324532 CLUTCH	1
39	992912 O-RING (S-8)	1

40	306990	RECIPROCATING BEARING	1
41	316136	COLLAR	1
42	316137	V-RING	1
43	316138	WASHER	1
44	316134	FIRST GEAR	1
45	995634	WASHER (B) D12.5	1
46	316133	CHANGE LEVER	1
47	981328	SPRING (H)	1
48	959155	STEEL BALL D3.97 (10 PCS.)	1
49	876319	O-RING (S-14)	1
50	939543	RETAINING RING FOR D14 SHAFT (10 PCS.)	1
51	316142	PLATE	1
52	313591	RUBBER HOLDER	1
53	316154	SWITCH	1
54	316156	INTERNAL WIRE	1
55	316155	INTERNAL WIRE	1
56	HITACHI L		1
57	CARBON BRUSH		2
58	306945	TAPPING SCREW D3X10	4
59A	316143	BRUSH HOLDER (L) ASS'Y	1
60A	316144	BRUSH HOLDER (R) ASS'Y	1
61	316147	SLIDE LEVER	1
62	313592	SPRING	1
63	316140	RUBBER SEAL (A)	1
64	316141	RUBBER SEAL (B)	1
65	958715	TAPPING SCREW D4X10	2
66	303989	TERMINAL	1
67	316956	TERMINAL PIECE	1
68	303990	TERMINAL	1
69	303969	PUSHING BUTTON	1
70	316965	BATTERY EB 24B (USA,CAN)	1
73	320602	BALL BEARING 626DDMC3PS2S	2
501	303659	SIDE HANDLE	1
502	303709	DEPTH GAUGE	1
503A	CHARGE F		1
503	CHARGER (MODEL UC 24YF)		1
504	316157	CASE	1
601	944460	TAPER SHANK DRILL BIT D11X100	1
602	944461	TAPER SHANK DRILL BIT D12.3X110	1
603	944462	TAPER SHANK DRILL BIT D14.3X110	1
604	944500	TAPER SHANK DRILL BIT D14.5X110	1

605	944463	TAPER SHANK DRILL BIT D17.5X120	1
606	303617	TAPER SHANK ADAPTER (SDS PLUS) NO.1	1
607	303619	A-TAPER SHANK ADAPTER (SDS PLUS)	1
608	303620	B-TAPER SHANK ADAPTER (SDS PLUS)	1
609	944477	COTTER	1
610	303332	HAMMER DRILL CHUCK SET 13MM	1
611	303334	CHUCK HANDLE	1
612	303335	RUBBER CAP	1
613	302976	ANCHOR SETTING ADAPTER A (SDS+)W1/4X260L	1
614	302975	ANCHOR SETTING ADAPTER A(SDS+)W5/16X260L	1
615	303621	ANCHOR SETTING ADAPTER A (SDS+)W3/8X160L	1
616	302974	ANCHOR SETTING ADAPTER A (SDS+)W3/8X260L	1
617	302979	ANCHOR SETTING ADAPTER B (SDS+)W1/4X260L	1
618	302978	ANCHOR SETTING ADAPTER B(SDS+)W5/16X260L	1
619	303622	ANCHOR SETTING ADAPTER B (SDS+)W3/8X160L	1
620	302977	ANCHOR SETTING ADAPTER B (SDS+)W3/8X260L	1
621	971794	ANCHOR SETTING ADAPTER A W1/4" (MANUAL)	1
622	971795	ANCHOR SETTING ADAPTER A W5/16" (MANUAL)	1
623	971796	ANCHOR SETTING ADAPTER A W3/8" (MANUAL)	1
624	971797	ANCHOR SETTING ADAPTER A W1/2" (MANUAL)	1
625	971798	ANCHOR SETTING ADAPTER A W5/8" (MANUAL)	1
626	971799	ANCHOR SETTING ADAPTER B W1/4" (MANUAL)	1
627	971800	ANCHOR SETTING ADAPTER B W5/16" (MANUAL)	1
628	971801	ANCHOR SETTING ADAPTER B W3/8" (MANUAL)	1
629	971802	ANCHOR SETTING ADAPTER B W1/2" (MANUAL)	1
630	971803	ANCHOR SETTING ADAPTER B W5/8" (MANUAL)	1
632	930515	CHUCK WRENCH 10G	1
633	981122	SPECIAL SCREW M6X22	1
634	321813	DRILL CHUCK 13VLD-D	1
635	321825	DRILL CHUCK AND ADAPTER SET	1
636	303623	CHUCK ADAPTER (G) (SDS PLUS)	1
637	303624	CHUCK ADAPTER (D) (SDS PLUS)	1
638	971511Z	+ DRIVER BIT (A) NO.2 25L	1
639	971512Z	+ DRIVER BIT (A) NO.3 25L	1
640	971787	DUST CUP	1
641	306885	DUST COLLECTOR (B) ASS'Y	1
642	306910	SOCKET ADAPTER (B)	1
643	308776	DUST COLLECTION ADAPTER SET	1
644	308774	ADAPTER (A)	1
645	306927	SILICON RUBBER	1
700	303627	CORE BIT SHANK (SDS PLUS) 45-90MM 300L	1

701	303625	CORE BIT SHANK (SDS PLUS) 25-38MM 105L	1
702	303626	CORE BIT SHANK (SDS PLUS) 25-38MM 300L	1
703	303044	CHEMICAL ANCHOR ADAPTER (SDS+)12.7MMX90L	1
704	303045	CHEMICAL ANCHOR ADAPTER(SDS+)19.0MMX100L	1
705	970976	J-200 SNAP RING PLIERS	1
706	970977	J-201 SPRING HOOK	1
707	980927	GREASE FOR HAMMER.HAMMER DRILL (500G)	1
708	981840	GREASE (A) FOR HAMMER.HAMMER DRILL (30G)	1
709	308471	GREASE FOR HAMMER.HAMMER DRILL (70G)	1
710	931844	STOPPER	1
711	982684	CENTER PIN (A) 109L FOR CORE BIT D32-38	1
712	982685	CENTER PIN (B) 104L FOR CORE BIT D45-90	1
713	982672	CORE BIT (A) 25MM	1
714	982673	CORE BIT (A) 29MM	1
715	982674	CORE BIT (A) 32MM	1
716	982675	CORE BIT (A) 35MM	1
717	982676	CORE BIT (A) 38MM	1
718	982677	CORE BIT (B) 45MM	1
719	982678	CORE BIT (B) 50MM	1



Rev.1

形 名
DH20DV