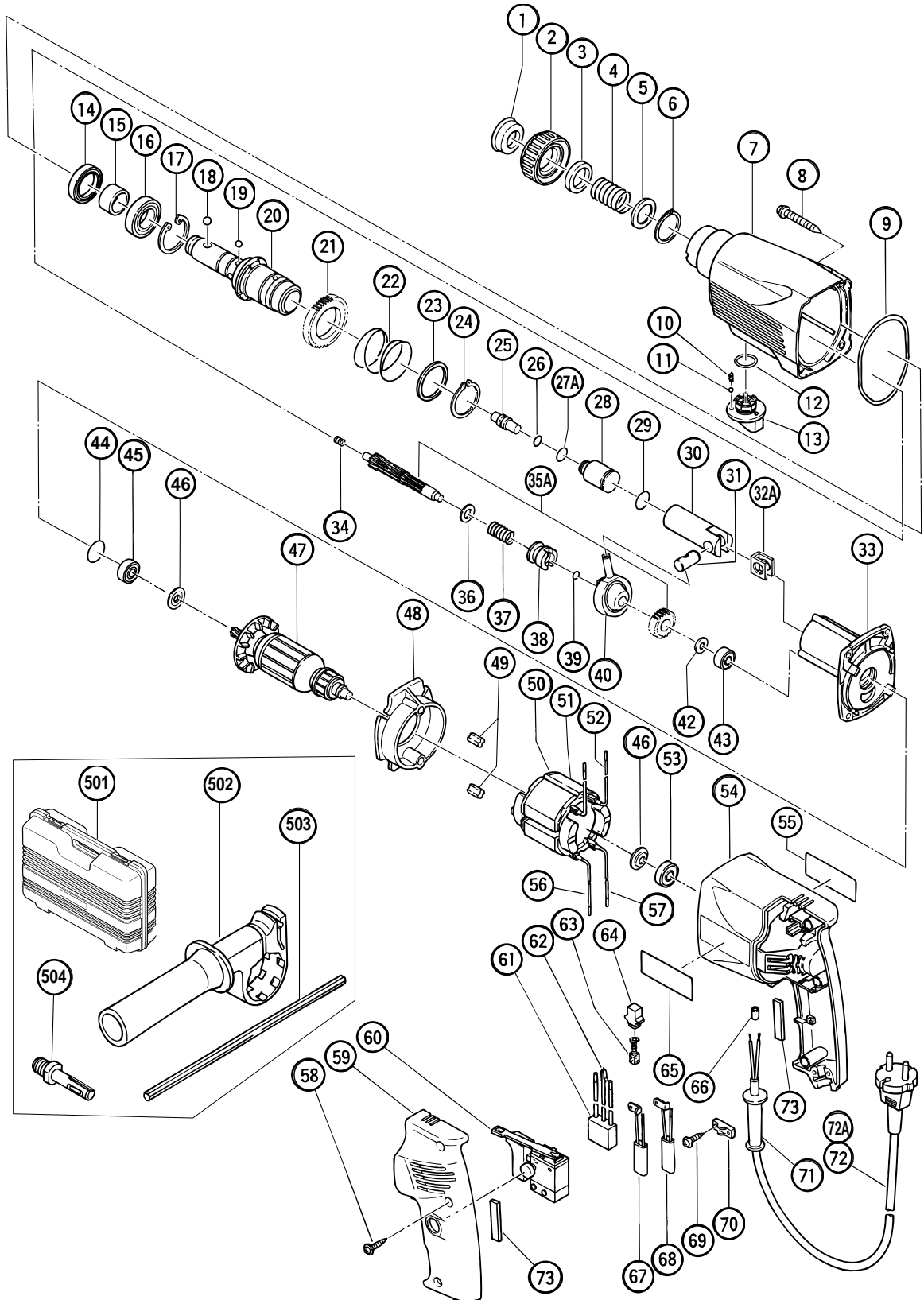


ELECTRIC TOOL PARTS LIST

■ HAMMER DRILL
Model DH 24PB

2000・9・29
(E2)



PARTS

DH 24PB

ITEM No.	CODE NO.	DESCRIPTION	NO. USED	REMARKS
1	306-345	FRONT CAP	1	
2	306-992	GRIP	1	
3	306-343	BALL HOLDER	1	
4	306-342	HOLDER SPRING	1	
5	984-118	WASHER (B)	1	
6	939-547	RETAINING RING FOR D20 SHAFT (10 PCS.)	1	
7	314-876	GEAR COVER	1	
8	301-654	TAPPING SCREW (W/FLANGE) D5X35	4	
9	314-881	O-RING	1	
10	981-328	SPRING (H)	1	
11	959-155	STEEL BALL D3.97 (10 PCS.)	1	
12	314-878	O-RING	1	
13	314-877	CHANGE LEVER	1	
14	307-688	OIL SEAL	1	
15	307-690	SLEEVE	1	
16	690-4DD	BALL BEARING 6904DDPS2L	1	
17	986-147	RETAINING RING FOR D37 HOLE	1	
18	959-156	STEEL BALL D7.0 (10 PCS.)	1	
19	959-154	STEEL BALL D5.556 (10 PCS.)	3	
20	314-882	CYLINDER	1	
21	301-677	SECOND GEAR	1	
22	301-678	SPRING (A)	1	
23	301-679	WASHER (A)	1	
24	948-310	RETAINING RING FOR D30 SHAFT	1	
25	301-671	SECOND HAMMER	1	
26	301-672	O-RING (B)	1	
27A	301-680	O-RING (I.D. 10.5)	1	
28	301-669	STRIKER	1	
29	301-670	O-RING (A)	1	
30	301-668	PISTON	1	
31	301-666	PISTON PIN	1	
32A	303-977	WASHER (C)	1	
33	314-880	INNER COVER	1	
34	301-664	SPRING (B)	1	
35A	315-161	GEAR.SHAFT SET	1	
36	301-659	WASHER (B)	1	
37	301-660	CLUTCH SPRING	1	
38	301-661	CLUTCH	1	
39	992-912	O-RING (S-8)	1	
40	306-990	RECIPROCATING BEARING	1	
42	301-663	SPACER	1	
43	626-VVM	BALL BEARING 626VVC2PS2L	1	
44	876-796	O-RING (P-22)	1	
45	608-DDM	BALL BEARING 608DDC2PS2L	1	
46	982-631	WASHER (A)	2	
* 47	360-446U	ARMATURE ASS'Y 110V-115V	1	INCLUD.45,46,53
* 47	360-446E	ARMATURE 220V-230V	1	
* 47	360-446F	ARMATURE 240V	1	
48	314-879	FAN GUIDE ASS'Y	1	INCLUD.49
49	994-343	RUBBER BUSHING	2	
* 50	340-398C	STATOR 110V-115V	1	

* : ALTERNATIVE PARTS

9 - 00

PARTS

DH 24PB

ITEM No.	CODE NO.	DESCRIPTION	NO. USED	REMARKS		
*	50	340-398E	STATOR 220V-230V	1		
*	50	340-398F	STATOR 240V	1		
	51	314-914	INTERNAL WIRE (A) (BLACK)	1		
*	52	314-913	INTERNAL WIRE (A) (GRAY)	1		
*	52	314-919	INTERNAL WIRE (B) (W/CR UNIT)	1	FOR GBR (110V)	
*	52	314-920	INTERNAL WIRE (B) (W/CR UNIT)	1	FOR NZL,GBR (230V),SAF,ITA,FRG,FRA, HOL,DEN,FIN,SWE,AUT,NOR,ESP,SUI,KOR	
	53	608-VVM	BALL BEARING 608VVC2PS2L	1		
	54	314-889	HOUSING	1		
	55		NAME PLATE	1		
	56	314-912	INTERNAL WIRE (A) (RED)	1		
*	57	314-915	INTERNAL WIRE (A) (WHITE)	1		
	58	301-653	TAPPING SCREW (W/FLANGE) D4X20 (BLACK)	3		
	59	314-891	HANDLE COVER	1		
*	60	314-916	SPEED CONTROL SWITCH (2P) 100V-115V	1		
*	60	314-921	SPEED CONTROL SWITCH (2P) 220V-240V	1		
	61	994-273	NOISE SUPPRESSOR	1		
	62	302-488	EARTH TERMINAL	1		
	63	999-072	CARBON BRUSH (AUTO STOP TYPE) (1 PAIR)	2		
	64	955-203	BRUSH HOLDER	2		
	65		HITACHI LABEL	1		
*	66	981-373	TUBE (D)	2	FOR CORD	
*	67	314-917	INTERNAL WIRE (B) (BLUE)	1		
*	67	314-922	CHOKE COIL (A) BLUE	1	FOR NZL,GBR,SAF,ITA,FRG,FRA,HOL,DEN, FIN,SWE,AUT,NOR,ESP,SUI,KOR	
*	68	314-918	INTERNAL WIRE (B) (BROWN)	1		
*	68	314-923	CHOKE COIL (A) BROWN	1	FOR NZL,GBR,SAF,ITA,FRG,FRA,HOL,DEN, FIN,SWE,AUT,NOR,ESP,SUI,KOR	
	69	984-750	TAPPING SCREW (W/FLANGE) D4X16	2		
	70	937-631	CORD CLIP	1		
*	71	953-327	CORD ARMOR D8.8	1		
*	71	938-051	CORD ARMOR D10.1	1		
*	72	500-214Z	CORD	1	(CORD ARMOR D10.1)	
*	72	500-249Z	CORD	1	(CORD ARMOR D8.8) FOR USA,CAN	
*	72	500-409Z	CORD	1	(CORD ARMOR D8.8) FOR INA,KOR	
*	72	500-423Z	CORD	1	(CORD ARMOR D8.8) FOR SIN,KUW	
*	72	500-439Z	CORD	1	(CORD ARMOR D10.1) FOR AUS,NZL	
*	72	500-440Z	CORD	1	(CORD ARMOR D8.8) FOR GBR (230V)	
*	72	500-245Z	CORD	1	(CORD ARMOR D10.1) SYR	
*	72	500-390Z	CORD	1	(CORD ARMOR D10.1) FOR ITA,FRG,FRA, HOL,DEN,FIN,SWE,AUT,NOR,ESP	
*	72	500-406Z	CORD	1	(CORD ARMOR D8.8) FOR GBR (110V),SAF	
*	72	500-391Z	CORD	1	(CORD ARMOR D10.1) FOR SUI	
*	72A	500-435Z	CORD	1	(CORD ARMOR D8.8) FOR HKG	
*	72A	500-456Z	CORD	1	(CORD ARMOR D8.8) FOR CHN	
	73	315-147	DUST PACKING	2	(TILL 7.1998)	

STANDARD ACCESSORIES

DH 24PB

ITEM No.	CODE NO.	DESCRIPTION	NO. USED	REMARKS
501	307-786	CASE	1	
502	303-659	SIDE HANDLE	1	
* 503	303-709	DEPTH GAUGE	1	
* 503	310-331	DEPTH GAUGE	1	FOR USA
* 504	303-624	CHUCK ADAPTER (D) (SDS PLUS)	1	FOR AUS

OPTIONAL ACCESSORIES

ITEM No.	CODE NO.	DESCRIPTION	NO. USED	REMARKS
601	306-369	DRILL BIT (SLENDER SHAFT) D3.4X90	1	
602	306-368	DRILL BIT (SLENDER SHAFT) D3.5X90	1	
603	306-370	ADAPTER FOR SLENDER SHAFT (SDS PLUS)	1	
604	944-460	TAPER SHANK DRILL BIT D11X100	1	
605	944-461	TAPER SHANK DRILL BIT D12.3X110	1	
606	993-038	TAPER SHANK DRILL BIT D12.7X110	1	
607	944-462	TAPER SHANK DRILL BIT D14.3X110	1	
608	944-500	TAPER SHANK DRILL BIT D14.5X110	1	
609	944-463	TAPER SHANK DRILL BIT D17.5X120	1	
610	944-464	TAPER SHANK DRILL BIT D21.5X140	1	
611	303-617	TAPER SHANK ADAPTER (SDS PLUS) NO.1	1	
612	303-618	TAPER SHANK ADAPTER (SDS PLUS) NO.2	1	
613	303-619	A-TAPER SHANK ADAPTER (SDS PLUS)	1	
614	303-620	B-TAPER SHANK ADAPTER (SDS PLUS)	1	
615	944-477	COTTER	1	
616	303-332	HAMMER DRILL CHUCK SET 13MM	1	INCLUD.617,618
617	303-334	CHUCK HANDLE	1	
618	303-335	RUBBER CAP	1	
619	302-976	ANCHOR SETTING ADAPTER A (SDS+)W1/4X260L	1	
620	302-975	ANCHOR SETTING ADAPTER A(SDS+)W5/16X260L	1	
621	303-621	ANCHOR SETTING ADAPTER A (SDS+)W3/8X160L	1	
622	302-974	ANCHOR SETTING ADAPTER A (SDS+)W3/8X260L	1	
623	302-979	ANCHOR SETTING ADAPTER B (SDS+)W1/4X260L	1	
624	302-978	ANCHOR SETTING ADAPTER B(SDS+)W5/16X260L	1	
625	303-622	ANCHOR SETTING ADAPTER B (SDS+)W3/8X160L	1	
626	302-977	ANCHOR SETTING ADAPTER B (SDS+)W3/8X260L	1	
627	971-794	ANCHOR SETTING ADAPTER A W1/4" (MANUAL)	1	
628	971-795	ANCHOR SETTING ADAPTER A W5/16" (MANUAL)	1	
629	971-796	ANCHOR SETTING ADAPTER A W3/8" (MANUAL)	1	
630	971-797	ANCHOR SETTING ADAPTER A W1/2" (MANUAL)	1	
631	971-798	ANCHOR SETTING ADAPTER A W5/8" (MANUAL)	1	
632	971-799	ANCHOR SETTING ADAPTER B W1/4" (MANUAL)	1	
633	971-800	ANCHOR SETTING ADAPTER B W5/16" (MANUAL)	1	
634	971-801	ANCHOR SETTING ADAPTER B W3/8" (MANUAL)	1	
635	971-802	ANCHOR SETTING ADAPTER B W1/2" (MANUAL)	1	
636	971-803	ANCHOR SETTING ADAPTER B W5/8" (MANUAL)	1	
637	982-684	CENTER PIN (A) 109L FOR CORE BIT D32-38	1	
638	982-685	CENTER PIN (B) 104L FOR CORE BIT D45-90	1	
639	982-672	CORE BIT (A) 25MM	1	
640	982-673	CORE BIT (A) 29MM	1	
641	982-674	CORE BIT (A) 32MM	1	INCLUD.642

* : ALTERNATIVE PARTS

9 - 00

