

n°	Article	Quantité utilisée
1	318028 FRONT CAP	1
2	320352 GRIP	1
3	306340 STOPPER RING	1
4	320349 HOLDER SLEEVE	1
5	320353 BALL HOLDER	1
6	320351 HOLDER SPRING	1
7	320354 SPRING HOLDER (B)	1
8	676432 RETAINING RING	1
9	320350 SLEEVE	1
10	320355 CYLINDER CASE COVER	1
11	HITACHI LABEL	1
12	320323 CYLINDER CASE	1
13	992253 HEX. SOCKET HD. BOLT (W/FLANGE) M5X25	4
14	990067 O-RING (1AS-50)	1
15	320324 OIL SEAL	1
17	320325 DAMPER (B)	1
18	320326 DAMPER WASHER (B)	1
19	6005T2 BALL BEARING 6005T2X3CN	1
20	948227 RETAINING RING FOR D47 HOLE	1
22	6906T2 BALL BEARING 6906T2CN	1
23	320343 NEEDLE	3
24	320330 RETAINER SLEEVE (B)	1
25	307028 TAPPING SCREW (W/FLANGE) D4X25 (BLACK)	1
26	320360 CHANGE LEVER	1
27	320307 NEEDLE BEARING	1
28	320972 BEARING BUSHING	1
29	320358 SHIFT LEVER	1
30	320359 O-RING (B)	1
31	320308 PLATE SPRING	1
32	320309 LOCK PLATE	1
33	320310 PLATE HOLDER	1
34	993982 SEAL LOCK SCREW (W/SP. WASHER) M4X6	2
35	320311 THIRD PINION	1
36	6901DD BALL BEARING 6901DDC3PS2-L (EC)	1
37	983748 RETAINING RING FOR D24 HOLE	1
38	320313 CLUTCH SPRING (B)	1
39	320314 CLUTCH (B)	1
40	320361 SHIFT PLATE	1
41	320315 SECOND GEAR	1

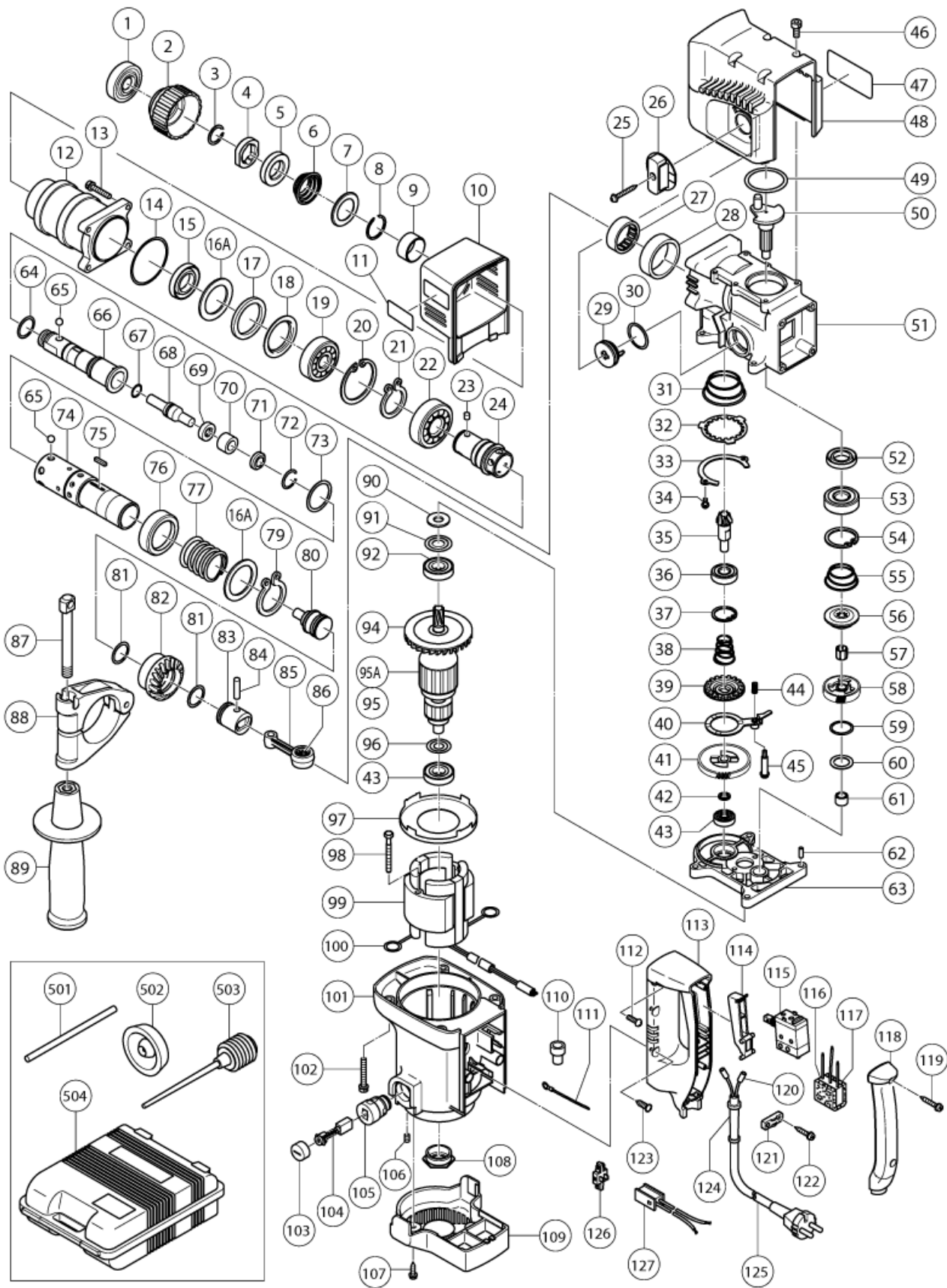
42	320316	SLEEVE (B)	1
43	608VVM	BALL BEARING 608VVC2PS2L	2
44	320363	SHIFT SPRING	1
45	320362	SHIFT GUIDE	1
46	878356	SEAL LOCK HEX. SOCKET HD. BOLT M4X10	4
47		NAME PLATE	1
48	320356	CRANK CASE COVER	1
49	314030	O-RING	1
50	320318	CRANK SHAFT	1
51	320368	CRANK CASE ASS'Y	1
52	981851	OIL SEAL (B)	1
53	6002VV	BALL BEARING 6002VVCMP2L	1
54	948001	RETAINING RING FOR D32 HOLE	1
55	320320	CLUTCH SPRING (A)	1
56	320321	CLUTCH (A)	1
57	320932	NEEDLE CAGE	1
58	320322	FIRST GEAR	1
59	320317	THRUST BALL BEARING	1
60	320319	WASHER (A)	1
61	670714	NEEDLE BEARING (HK0810)	1
62	949756	PIN D4X12 (10 PCS.)	1
63	320365	GEAR COVER	1
64	320340	O-RING	1
65	959156	STEEL BALL D7.0 (10 PCS.)	8
66	320329	RETAINER SLEEVE (A)	1
67	311819	O-RING (B)	1
68	320331	SECOND HAMMER	1
69	320332	HAMMER HOLDER	1
70	320333	DAMPER	1
71	320334	DAMPER HOLDER	1
72	320335	STOPPER RING	1
73	320341	WASHER (A)	1
74	320328	CYLINDER	1
75	982696	FEATHER KEY 3X3X15	2
76	320336	PUSHING RING	1
77	320337	SPRING (A)	1
78	322178	WASHER (B)	1
79	320339	RETAINING RING FOR D34 SHAFT	1
80	320346	STRIKER	1
81	320347	O-RING	2
82	320345	THIRD GEAR	1

83	320348	PISTON	1
84	319581	PISTON PIN	1
85	982647	CONNECTING ROD ASS'Y	1
86	956406	NEEDLE BEARING (NTN 8Q-HK08 10D)	1
87	313080	HANDLE BOLT	1
88	320357	HANDLE HOLDER	1
89	313078	SIDE HANDLE	1
90	320366	FELT PACKING	1
91	320367	PACKING WASHER	1
92	6001DD	BALL BEARING 6001DDCMPS2L	1
94	319930	FAN	1
95	360561F	ARMATURE ASS'Y 240V	1
95A	360561U	ARMATURE ASS'Y 110V-120V	1
95	360561E	ARMATURE ASS'Y 220V-230V	1
96	982631	WASHER (A)	1
97	980931	FAN GUIDE	1
98	953121	HEX. HD. TAPPING SCREW D5X50	2
99	340507H	STATOR ASS'Y 110V-120V	1
99	340507K	STATOR ASS'Y 240V	1
99	340507J	STATOR ASS'Y 220V-230V	1
99	340507G	STATOR ASS'Y 110V-120V	1
100	930703	BRUSH TERMINAL	2
101	319590	HOUSING ASS'Y	1
102	319589	HEX. SOCKET HD. BOLT (W/FLANGE) M5X35	4
103	945161	BRUSH CAP	2
104	999073	CARBON BRUSH (AUTO STOP TYPE) (1 PAIR)	2
105	958900	BRUSH HOLDER	2
106	938477	HEX. SOCKET SET SCREW M5X8	2
107	307811	TAPPING SCREW (W/FLANGE) D4X16 (BLACK)	2
108	310111	BEARING BUSHING (B)	1
109	319587	TAIL COVER	1
110	959140	CONNECTOR 50091 (10 PCS.)	1
111	981500	INTERNAL WIRE	1
112	307294	MACHINE SCREW (W/WASHERS) M5X16 (BLACK)	4
113	319597	HANDLE	1
114	319594	TRIGGER	1
115	319593	SWITCH (A) (2P PILLAR TYPE) W/O LOCK	1
115	319592	SWITCH (B) (2P PILLAR TYPE) W/O LOCK	1
116	994273	NOISE SUPPRESSOR	1
117	317492	SUPPORT (B)	1
118	319598	HANDLE COVER	1

119	301653	TAPPING SCREW (W/FLANGE) D4X20 (BLACK)	2
120	981373	TUBE (D)	2
121	937631	CORD CLIP	1
122	984750	TAPPING SCREW (W/FLANGE) D4X16	2
123	305558	TAPPING SCREW (W/FLANGE) D5X25 (BLACK)	2
124	938051	CORD ARMOR D10.1	1
124	953327	CORD ARMOR D8.8	1
125	500457Z	CORD	1
125	500390Z	CORD	1
125	500439Z	CORD	1
125	500454Z	CORD	1
125	500249Z	CORD	1
125	500446Z	CORD	1
125	500391Z	CORD	1
126	313092	PLUG (A)	1
127	319595	PLUG (B)	1
127	319596	PLUG (B)	1
501	320973	STOPPER ROD	1
502	971787	DUST CUP	1
503	318085	SYRINGE (BELLOWS TYPE)	1
504	319599	CASE	1
601	944460	TAPER SHANK DRILL BIT D11X100	1
602	944461	TAPER SHANK DRILL BIT D12.3X110	1
603	993038	TAPER SHANK DRILL BIT D12.7X110	1
604	944462	TAPER SHANK DRILL BIT D14.3X110	1
605	944500	TAPER SHANK DRILL BIT D14.5X110	1
606	944463	TAPER SHANK DRILL BIT D17.5X120	1
607	944464	TAPER SHANK DRILL BIT D21.5X140	1
608	303617	TAPER SHANK ADAPTER (SDS PLUS) NO.1	1
609	303618	TAPER SHANK ADAPTER (SDS PLUS) NO.2	1
610	303619	A-TAPER SHANK ADAPTER (SDS PLUS)	1
611	303620	B-TAPER SHANK ADAPTER (SDS PLUS)	1
612	944477	COTTER	1
613	302976	ANCHOR SETTING ADAPTER A (SDS+)W1/4X260L	1
614	302975	ANCHOR SETTING ADAPTER A(SDS+)W5/16X260L	1
615	303621	ANCHOR SETTING ADAPTER A (SDS+)W3/8X160L	1
616	302974	ANCHOR SETTING ADAPTER A (SDS+)W3/8X260L	1
617	302979	ANCHOR SETTING ADAPTER B (SDS+)W1/4X260L	1
618	302978	ANCHOR SETTING ADAPTER B(SDS+)W5/16X260L	1
619	303622	ANCHOR SETTING ADAPTER B (SDS+)W3/8X160L	1
620	302977	ANCHOR SETTING ADAPTER B (SDS+)W3/8X260L	1

621	971794	ANCHOR SETTING ADAPTER A W1/4" (MANUAL)	1
622	971795	ANCHOR SETTING ADAPTER A W5/16" (MANUAL)	1
623	971796	ANCHOR SETTING ADAPTER A W3/8" (MANUAL)	1
624	971797	ANCHOR SETTING ADAPTER A W1/2" (MANUAL)	1
625	971798	ANCHOR SETTING ADAPTER A W5/8" (MANUAL)	1
626	971799	ANCHOR SETTING ADAPTER B W1/4" (MANUAL)	1
627	971800	ANCHOR SETTING ADAPTER B W5/16" (MANUAL)	1
628	971801	ANCHOR SETTING ADAPTER B W3/8" (MANUAL)	1
629	971802	ANCHOR SETTING ADAPTER B W1/2" (MANUAL)	1
630	971803	ANCHOR SETTING ADAPTER B W5/8" (MANUAL)	1
631	982672	CORE BIT (A) 25MM	1
632	982673	CORE BIT (A) 29MM	1
633	982674	CORE BIT (A) 32MM	1
634	982675	CORE BIT (A) 35MM	1
635	982676	CORE BIT (A) 38MM	1
636	982677	CORE BIT (B) 45MM	1
637	982678	CORE BIT (B) 50MM	1
638	982679	CORE BIT (B) 65MM	1
639	982680	CORE BIT (B) 80MM	1
640	982681	CORE BIT (B) 90MM	1
641	982684	CENTER PIN (A) 109L FOR CORE BIT D32-38	1
642	982685	CENTER PIN (B) 104L FOR CORE BIT D45-90	1
643	303625	CORE BIT SHANK (SDS PLUS) 25-38MM 105L	1
644	303626	CORE BIT SHANK (SDS PLUS) 25-38MM 300L	1
645	303627	CORE BIT SHANK (SDS PLUS) 45-90MM 300L	1
646	315921	ADAPTER (A) FOR HAMMER DRILL	1
647	320859	SYRINGE (BLOW-OUT BULB TYPE)	1
648	303046	BULL POINT (SDS+) 250MM(ROUND SHANK TYPE)	1
649	303044	CHEMICAL ANCHOR ADAPTER (SDS+)12.7MMX90L	1
650	303045	CHEMICAL ANCHOR ADAPTER(SDS+)19.0MMX100L	1
651	321814	DRILL CHUCK 13VLRB-D	1
652	930515	CHUCK WRENCH 10G	1
653	321813	DRILL CHUCK 13VLD-D	1
654	981122	SPECIAL SCREW M6X22	1
655	986802	DUST COLLECTOR ASS'Y	1
656	986803	DUST COVER	1
657	986804	SEAL COVER	1
658	948310	RETAINING RING FOR D30 SHAFT	1
659	958063	WASHER	1
660	959150	STEEL BALL D6.35 (10 PCS.)	1
661	986805	OUTER RACE	1

662	986806	SOCKET	1
663	321825	DRILL CHUCK AND ADAPTER SET	1
664	303624	CHUCK ADAPTER (D) (SDS PLUS)	1
665	303623	CHUCK ADAPTER (G) (SDS PLUS)	1
666	971511Z	+ DRIVER BIT (A) NO.2 25L	1
667	971512Z	+ DRIVER BIT (A) NO.3 25L	1
668	980927	GREASE FOR HAMMER.HAMMER DRILL (500G)	1
669	308471	GREASE FOR HAMMER.HAMMER DRILL (70G)	1
670	981840	GREASE (A) FOR HAMMER.HAMMER DRILL (30G)	1
671	322414	DUST COLLECTOR (FOR HAMMER DRILL D)	1
672	963558	ADAPTER	1



Rev.1

形名
DH30PC