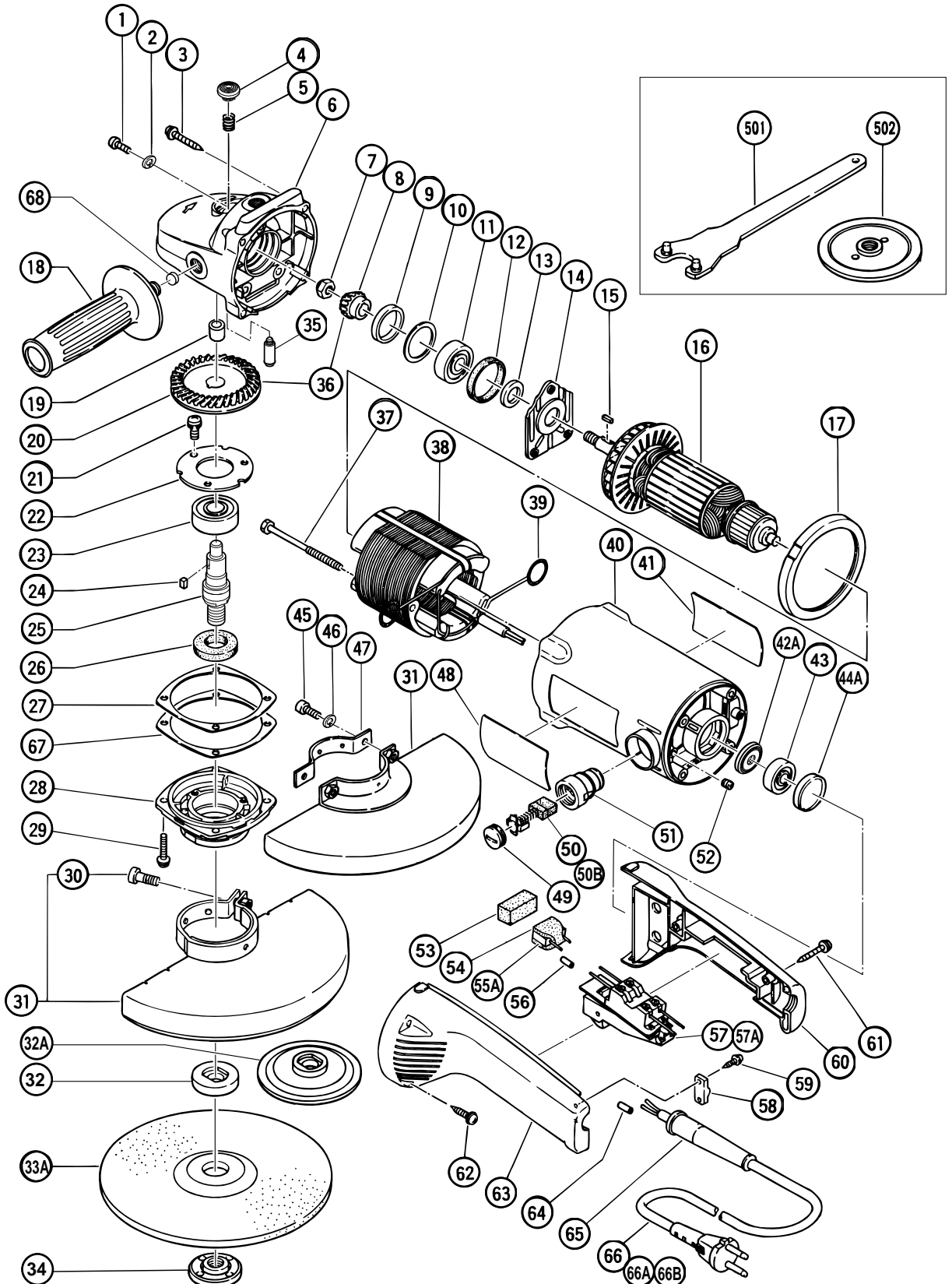


ELECTRIC TOOL PARTS LIST

■ DISC GRINDER
Model G 23SC2

2000・9・29
(E3)



PARTS

G 23SC2

ITEM NO.	CODE NO.	DESCRIPTION	NO. USED	REMARKS	
1	949-238	MACHINE SCREW M5X14 (10 PCS.)	3		
2	949-454	SPRING WASHER M5 (10 PCS.)	3		
3	301-654	TAPPING SCREW (W/FLANGE) D5X35	4		
4	306-888	PUSHING BUTTON	1		
5	306-889	SPRING	1		
6	306-105	GEAR COVER ASS'Y	1	INCLUD.4,5,19,35,68	
7	946-228	U-NUT M8	1		
8	306-110	PINION	1		
9	306-107	SEAL RING (A)	1		
10	306-113	WASHER (A)	1		
11	630-1DD	BALL BEARING 6301DDCMPS2L	1		
12	994-208	RUBBER RING (B)	1		
13	990-864	FELT PACKING (A)	1		
14	306-106	BEARING COVER	1		
15	940-533	FEATHER KEY 3X3X10	1		
*	16	360-287C	ARMATURE 100V-115V	1	
*	16	360-287E	ARMATURE 220V-230V	1	
*	16	360-287F	ARMATURE 240V	1	
*	16	360-287U	ARMATURE ASS'Y 115V	1	INCLUD.11,13,42A,43 FOR USA
	17	306-103	FAN GUIDE	1	
*	18	937-981	SIDE HANDLE FOR M14	1	EXCEPT FOR NOR
	19	673-002	NEEDLE BEARING (HK1212)	1	
	20	306-109	GEAR	1	
	21	992-038	SEAL LOCK SCREW (W/SP. WASHER) M5X10	3	
	22	937-035	BEARING COVER (B)	1	
	23	630-2DD	BALL BEARING 6302DDCMPS2L	1	
	24	980-809	FEATHER KEY 4X4X8	1	
*	25	990-857	SPINDLE	1	
*	25	306-125	SPINDLE	1	FOR USA,CAN
*	25	994-218	SPINDLE ASS'Y	1	INCLUD.34 FOR THA
	26	990-852	FELT PACKING (B)	1	
	27	306-112	SEAL PLATE	1	
	28	306-111	PACKING GLAND	1	
	29	994-192	HEX. SOCKET HD. BOLT (W/FLANGE) M5X16	4	
	30	306-887	BOLT M8X22	1	
*	31	306-120	WHEEL GUARD ASS'Y	1	INCLUD.30
*	31	937-984Z	WHEEL GUARD	1	FOR USA,CAN
*	32	937-907Z	WHEEL WASHER (A)	1	
*	32	937-922P	WHEEL WASHER (B) FOR D5/8" HOLE	1	FOR USA,CAN
*	32	937-928Z	WHEEL WASHER (A) FOR D16 HOLE	1	FOR THA
*	32A	937-908Z	WHEEL WASHER (B)	1	FOR NZL,AUS
	33A	316-825	D. C. WHEELS 230MM A24R (25 PCS.)	1	
*	34	937-909Z	WHEEL NUT M14X2	1	
*	34	937-923P	WHEEL NUT 5/8"-11UNC	1	FOR USA,CAN
*	34	937-929Z	WHEEL NUT M16X1.5	1	FOR THA
*	34	937-917Z	WHEEL NUT (B)	1	FOR AUS,NZL
	35	306-890	LOCK PIN	1	
	36	306-108	GEAR AND PINION ASS'Y	1	INCLUD.8,20
	37	984-271	HEX. HD. TAPPING SCREW D5X75	2	
*	38	340-261C	STATOR ASS'Y 110V	1	INCLUD.39
*	38	340-261H	STATOR ASS'Y 115V	1	INCLUD.39

* : ALTERNATIVE PARTS

9 - 00

PARTS

G 23SC2

ITEM NO.	CODE NO.	DESCRIPTION	NO. USED	REMARKS
* 38	340-260E	STATOR ASS'Y 220V-230V	1	INCLUD.39
* 38	340-260G	STATOR ASS'Y 230V	1	INCLUD.39 FOR ITA,FRG,FRA,HOL,DEN, FIN,SWE,NOR,NZL,SAF,GBR,ESP
* 38	340-260F	STATOR ASS'Y 240V	1	INCLUD.39 FOR KUW,AUS
* 38	340-261G	STATOR ASS'Y 110V	1	INCLUD.39 FOR GBR
* 38	340-261J	STATOR ASS'Y 115V	1	INCLUD.39 FOR CAN
	39	958-032	2	BRUSH TERMINAL
	40	306-102	1	HOUSING ASS'Y
	41		1	NAME PLATE
	42A	310-998	1	DUST SEAL
	43	620-0VV	1	BALL BEARING 6200VVCMP2L
	44A	313-485	1	RUBBER RING (E)
* 45	949-656	HEX. SOCKET HD. BOLT M8X20 (10 PCS.)	2	FOR USA,CAN
* 46	949-457	SPRING WASHER M8 (10 PCS.)	2	FOR USA,CAN
* 47	937-911	SET RING (A)	1	FOR USA,CAN
	48		1	HITACHI LABEL
	49	940-540	2	BRUSH CAP
* 50	999-044	CARBON BRUSH (1 PAIR)	2	
* 50B	999-074	CARBON BRUSH (AUTO STOP TYPE) (1 PAIR)	2	FOR ESP,SAF,NZL
	51	980-487	2	BRUSH HOLDER
	52	938-477	2	HEX. SOCKET SET SCREW M5X8
* 53	306-117	DUST PACKING	1	EXCEPT FOR USA,CAN
* 54	306-114	SUPPORT (B)	1	FOR NOISE SUPPRESSOR
* 55A	930-039	NOISE SUPPRESSOR	1	FOR NZL,GBR,SAF,ITA,FRG,FRA,HOL,DEN, FIN,SWE,NOR,ESP
* 56	961-820	TUBE (D)	2	FOR NOISE SUPPRESSOR
* 57	306-116	SWITCH (2P PILLAR TYPE) W/SAFETY LOCK	1	W/LOCK
* 57	306-115	SWITCH (2P PILLAR TYPE) W/SAFETY LOCK	1	W/O LOCK FOR AUS,GBR,ITA,FRA,FIN, NOR,NZL
* 57A	306-128	SWITCH (2P SCREW TYPE) W/LOCK	1	FOR USA,CAN
	58	960-266	1	CORD CLIP
	59	984-750	2	TAPPING SCREW (W/FLANGE) D4X16
* 60	306-119	HANDLE (B)	1	
* 60	306-127	HANDLE (D)	1	FOR USA,CAN
	61	304-035	2	TAPPING SCREW (W/FLANGE) D4X25 (BLACK)
	62	305-558	4	TAPPING SCREW (W/FLANGE) D5X25 (BLACK)
* 63	306-118	HANDLE (A)	1	
* 63	306-126	HANDLE (C)	1	FOR USA,CAN
* 64	981-373	TUBE (D)	2	FOR CORD
* 65	958-049	CORD ARMOR D8.2	1	
* 65	940-778	CORD ARMOR D10.7	1	
* 66	500-234Z	CORD	1	(CORD ARMOR D8.2) FOR INA
* 66	500-214Z	CORD	1	(CORD ARMOR D10.7)
* 66	500-247Z	CORD	1	(CORD ARMOR D10.7) FOR ITA,FRG,FRA, HOL,DEN,FIN,SWE,NOR,ESP
* 66	500-423Z	CORD	1	(CORD ARMOR D8.2) FOR SIN,KUW
* 66	500-242Z	CORD	1	(CORD ARMOR D10.7) FOR CAN
* 66	500-245Z	CORD	1	(CORD ARMOR D10.7) FOR SYR
* 66	500-439Z	CORD	1	(CORD ARMOR D10.7) FOR AUS,NZL
* 66	500-246Z	CORD	1	(CORD ARMOR D10.7) FOR GBR (110V)
* 66	938-333Z	CORD	1	(CORD ARMOR D8.2) FOR SAF

PARTS

G 23SC2

ITEM NO.	CODE NO.	DESCRIPTION	NO. USED	REMARKS
* 66	500-438Z	CORD	1	(CORD ARMOR D10.7) FOR CHN
* 66A	500-450Z	CORD	1	(CORD ARMOR D10.7) FOR GBR (230V)
* 66B	500-453Z	CORD	1	(CORD ARMOR D10.7) FOR USA
67	306-981	THRUST WASHER	1	
68	937-033	FELT WASHER	1	

STANDARD ACCESSORIES

ITEM NO.	CODE NO.	DESCRIPTION	NO. USED	REMARKS
* 501	937-913Z	WRENCH	1	EXCEPT FOR NOR
* 502	937-917Z	WHEEL NUT (B)	1	(DIAMOND WHEEL) FOR NZL

OPTIONAL ACCESSORIES

ITEM NO.	CODE NO.	DESCRIPTION	NO. USED	REMARKS
601A	999-074	CARBON BRUSH (AUTO STOP TYPE) (1 PAIR)	2	
602	994-275	DIAMOND WHEEL (SEGMENT) 230MM-D22.2 HOLE	1	FOR CONCRETE
603	994-276	DIAMOND WHEEL 230MM-D22.2 HOLE	1	WAVE SHAPE TYRE FOR CONCRETE
604	994-277	DIAMOND WHEEL (SEGMENT) 230MM-D22.2 HOLE	1	FOR ABRASIVE MATERIALS
605	994-278	DIAMOND WHEEL (SEGMENT) 230MM-D22.2 HOLE	1	FOR CONCRETE
606	310-337	SUPER WASHER	1	