

n°	Article		Quantité utilisée
1B	322057	HOUSING ASS'Y (SILVER GREEN)	1
1A	971050	HOUSING ASS'Y (SILVER GREEN)	1
2	971001	BRUSH HOLDER	2
3	944532	STATOR ASS'Y 100V	1
3	944535F	STATOR ASS'Y 240V	1
3	944532G	STATOR ASS'Y 100V	1
3A	944535K	STATOR ASS'Y 220V	1
3	944535E	STATOR ASS'Y 220V-230V	1
3	944535D	STATOR ASS'Y 120V-127V	1
3B	340556G	STATOR ASS'Y 220V	1
3A	944535L	STATOR ASS'Y 110V	1
3	944535C	STATOR ASS'Y 110V-115V	1
4	930703	BRUSH TERMINAL	2
5	949233	MACHINE SCREW M5X55 (10 PCS.)	2
7	VINYL TUBE (I.D.9XT0.5X65)		1
8	956127	STOP PLATE	2
9	971052F	ARMATURE ASS'Y 240V	1
9	971052E	ARMATURE ASS'Y 220V-230V	1
9	971052D	ARMATURE ASS'Y 120V-127V	1
9	971051	ARMATURE ASS'Y 100V	1
9	971052C	ARMATURE ASS'Y 110V-115V	1
9A	360608E	ARMATURE ASS'Y 220V	1
10A	6000DW	BALL BEARING 6000DDWCMNS7L	1
10	6000VV	BALL BEARING 6000VVCMP2L	1
11	944433	DUST SEAL	1
12	971108	GEAR COVER ASS'Y (SILVER GREEN)	1
13	971054	DUST SEAL	1
14	6202VV	BALL BEARING 6202VVCMP2L	1
14A	6202DW	BALL BEARING 6202DDWCMNS7L	1
15	939299	NEEDLE BEARING (M661)	2
16	971055	SIDE COVER	1
17	971056	CRANK CASE ASS'Y (SILVER GREEN)	1
18A	971057	COVER SEAL (B)	1
18B	971098	COVER SEAL (B)	1
19B	971099	COVER PLATE (B)	1
19A	971058	COVER PLATE (B)	1
22	956967	OIL FELT	1
23	949217	MACHINE SCREW M4X12 (10 PCS.)	2
24	949453	SPRING WASHER M4 (10 PCS.)	5

25B	971167	CRANK SHAFT ASS'Y	1
26	6204DD	BALL BEARING 6204DDCMPS2L	1
27	971060	BEARING COVER (B)	1
28	971061	FIRST GEAR	1
29A	937177	FEATHER KEY 3X3X12	1
29	932815	WOODRUFF KEY 3X13	1
30	949821	HEX. SOCKET HD. BOLT M5X16 (10 PCS.)	4
32	955011	OIL GAUGE	1
33	971062	SECOND SHAFT	1
34A	998543	BEVEL GEAR	1
35	981941	CLUTCH PLATE	2
36	971064	SECOND GEAR	1
37	956207	SLIP PLATE (B)	2
38	944514	BELLEVILLE SPRING	1
39	944515	U-NUT M12	1
40	944525	BEARING WASHER (C)	1
41	944516	BEARING WASHER (B)	1
42	629VVM	BALL BEARING 629VVC2PS2L	1
43	949832	HEX. SOCKET HD. BOLT M6X45 (10 PCS.)	4
45	956106	CONNECTING ROD ASS'Y	1
46	980756	NEEDLE BEARING (NSK AJ50 1203)	1
47	956110	PISTON PIN	1
48	971065	PISTON	1
49A	971151	X-RING	1
50A	322058	STRIKER	1
50	956111	STRIKER	1
51	971068	SEAL PACKING	1
52	971069	CYLINDER CASE ASS'Y (SILVER GREEN)	1
53	955975	METAL D12X20	1
54	956211	DRIVE SHAFT	1
55	6001VV	BALL BEARING 6001VVCMP2L	1
56	971070	FINAL PINION	1
57	932819	WOODRUFF KEY 3X10	1
58	949457	SPRING WASHER M8 (10 PCS.)	1
59	944426	U-NUT M8	1
60	956225	CYLINDER WASHER	1
61	956224	URETHANE RING	1
62	971071	MOUTH	1
63	971072	MOUTH WASHER	1
64	971073	DAMPER	1
65	971074	BEARING WASHER	1

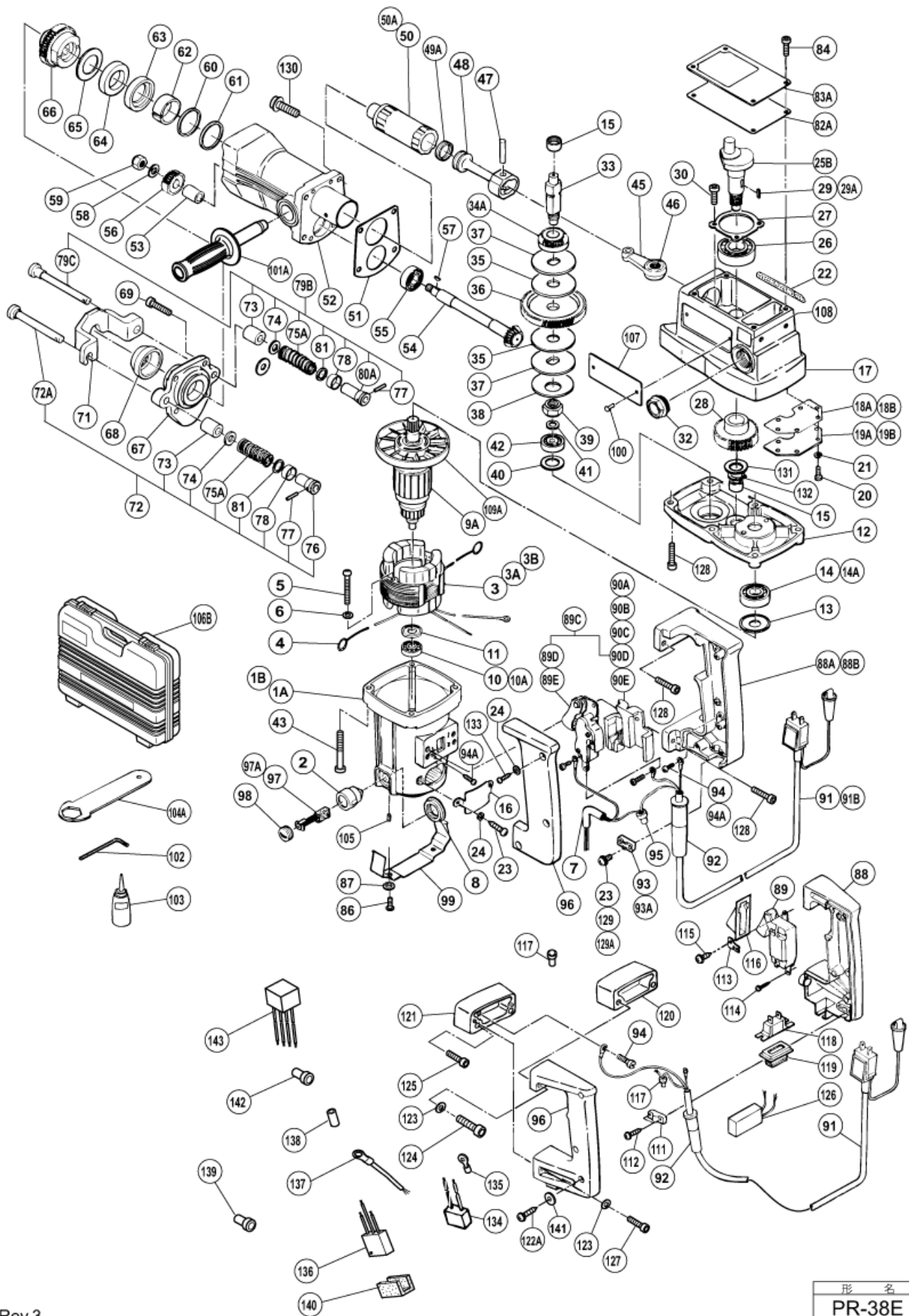
66	971075	FINAL GEAR	1
67	971076	FRONT COVER	1
68	971077	DUST COVER	1
69	949652	HEX. SOCKET HD. BOLT M6X25 (10 PCS.)	4
71	971078	RETAINER	1
72A	971079	RETAINER ROD (A)	1
72	971106	RETAINER ROD (A) ASS'Y	1
73	971080	DAMPER (B)	2
74	949426	WASHER M8 (10 PCS.)	2
75A	998558	SPRING	2
77	971083	NEEDLE ROLLER	2
78	971084	STOPPER RING	2
79B	971107	RETAINER ROD (B) ASS'Y	1
79C	998557	RETAINER ROD (B)	1
80A	971082	STOPPER (L)	1
81	971087	STOPPER WASHER	2
82A	971088	COVER SEAL	1
83A	971089	COVER PLATE (SILVER GREEN)	1
84	949665	HEX. SOCKET HD. BOLT M5X14 (10 PCS.)	4
86	949235	MACHINE SCREW M5X8 (10 PCS.)	2
87	949454	SPRING WASHER M5 (10 PCS.)	2
88B	971168	HANDLE AND HANDLE COVER SET	1
88A	957146	HANDLE ASS'Y (SILVER GREEN)	1
88	971146	HANDLE (A)	1
89E	981533Z	SWITCH (2P PILLAR TYPE) W/O LOCK	1
89C	971161	SWITCH ASS'Y (1P SCREW TYPE) W/O LOCK	1
89	956433	SWITCH (1P SCREW TYPE) W/O LOCK	1
89D	971162	SWITCH (A) (1P SCREW TYPE) W/O LOCK	1
90B	971133	SUPPORT (C)	1
90C	971163	SUPPORT (D)	1
90D	981986Z	SUPPORT (A)	1
90A	956981	SUPPORT (A)	1
90F	312408	SUPPORT (F)	1
91	500217Z	CORD	1
91	930044	CORD	1
91	500430Z	CORD	1
91	500428Z	CORD	1
91	500398Z	CORD	1
91	500202Z	CORD	1
91	500210Z	CORD	1
91	500452Z	CORD	1

91B	500478Z	CORD	1
91	500230Z	CORD	1
92	940778	CORD ARMOR D10.7	1
92	958049	CORD ARMOR D8.2	1
93	930108	CORD CLIP	1
93A	960266	CORD CLIP	1
94A	958523	MACHINE SCREW (W/SP. WASHER) M4X8	1
94	949292	MACHINE SCREW (BRASS) M4X6 (10 PCS.)	1
96	956980	HANDLE COVER (SILVER GREEN)	1
96	971147	HANDLE (B)	1
97A	999073	CARBON BRUSH (AUTO STOP TYPE) (1 PAIR)	2
97	999043	CARBON BRUSH (1 PAIR)	2
98	935829	BRUSH CAP	2
99	971091	TAIL COVER	1
100	949510	RIVET D2.5X4.8 (10 PCS.)	2
101	944457	SIDE HANDLE	1
101A	328656	SIDE HANDLE	1
102	944459	HEX. BAR WRENCH 5MM	1
103	931848	LUBRICANT OILER (120CC)	1
104	971109	WRENCH 23MM	1
105	938477	HEX. SOCKET SET SCREW M5X8	2
106B	312831	CASE (PLASTIC)	1
107	NAME PL		1
108	CAUTION PLATE		1
109	971097	FAN	1
109A	322059	FAN	1
111	937631	CORD CLIP	1
112	982095	TAPPING SCREW (W/WASHER) D4X20	2
113	956252	WIRE CLIP	1
114	954017	TAPPING SCREW D4X12	1
115	930446	TAPPING SCREW (W/WASHER) D4X16	1
116	971793	SWITCH COVER	1
118	953261	SLIDE SWITCH (1P SOLDER TYPE)	1
119	971792	SLIDE SWITCH COVER	1
120	971128Z	DISTANCE PIECE (B)	1
121	971148	DISTANCE PIECE (C)	1
122A	307028	TAPPING SCREW (W/FLANGE) D4X25 (BLACK)	3
123	949425	WASHER M6 (10 PCS.)	4
124	986491	SEAL LOCK HEX. SOCKET HD. BOLT M6X50	2
125	987707	SEAL LOCK HEX. SOCKET HD. BOLT M6X25	2
126	956613	DIODE 100V-127V	1

128	949670	HEX. SOCKET HD. BOLT M6X22 (10 PCS.)	6
129	957147	SEAL LOCK SCREW (W/FLANGE) M4X16	2
129A	984750	TAPPING SCREW (W/FLANGE) D4X16	2
130	971392	HEX. SOCKET HD. BOLT (W/FLANGE) M6X22	4
131	983719	WASHER (A)	1
132	939544	RETAINING RING FOR D15 SHAFT (10 PCS.)	1
133	956636	TAPPING SCREW (W/WASHER) D4X25	3
135	959144	TERMINAL 50051 (10 PCS.)	1
136	930039	NOISE SUPPRESSOR	1
136	994273	NOISE SUPPRESSOR	1
137	322272	INTERNAL WIRE	1
137	985289	INTERNAL WIRE	1
138	981373	TUBE (D)	2
139	959140	CONNECTOR 50091 (10 PCS.)	1
140	930153	SUPPORT (B)	1
141	949429	BOLT WASHER M4 (10 PCS.)	3
142	959141	CONNECTOR 50092 (10 PCS.)	2
143	328657	CHOKE COIL	1
601	955994	CORE BIT 25MM	1
602	955995	CORE BIT 29MM	1
603	955996	CORE BIT 32MM	1
604	955998	CORE BIT 35MM	1
605	956000	CORE BIT 38MM	1
606	955154	CORE BIT 45MM	1
607	955155	CORE BIT 54MM	1
608	956002	CORE BIT 64MM	1
609	955157	CORE BIT 79MM	1
610	956004	CORE BIT 94MM	1
611	955159	CORE BIT 105MM	1
612	955997	GUIDE PLATE (FOR CORE BIT 32MM)	1
613	955999	GUIDE PLATE (FOR CORE BIT 35MM)	1
614	956001	GUIDE PLATE (FOR CORE BIT 38MM)	1
615	955166	GUIDE PLATE (FOR CORE BIT 45MM)	1
616	955167	GUIDE PLATE (FOR CORE BIT 54MM)	1
617	956003	GUIDE PLATE (FOR CORE BIT 64MM)	1
618	955168	GUIDE PLATE (FOR CORE BIT 79MM)	1
619	956005	GUIDE PLATE (FOR CORE BIT 94MM)	1
620	955169	GUIDE PLATE (FOR CORE BIT 105MM)	1
621	955163	CORE BIT SHANK (A) 300L (FOR D38-120)	1
622	956008	CORE BIT SHANK (B) 300L (FOR D25-35)	1
623	955165	CENTER PIN (A) 133L FOR CORE BIT D38-150	1

624	956009	CENTER PIN (B) 147L FOR CORE BIT D32-35	1
625	955186	SHANK 250L (FOR RAMMER AND BUSHING TOOL)	1
626	981890	DRILL BIT D16.0X280 (HEX. SHANK TYPE)	1
627	981904	DRILL BIT D16.0X505 (HEX. SHANK TYPE)	1
628	981891	DRILL BIT D19.0X280 (HEX. SHANK TYPE)	1
629	981905	DRILL BIT D19.0X505 (HEX. SHANK TYPE)	1
630	981892	DRILL BIT D22.0X280 (HEX. SHANK TYPE)	1
631	981906	DRILL BIT D22.0X505 (HEX. SHANK TYPE)	1
632	981893	DRILL BIT D25.0X280 (HEX. SHANK TYPE)	1
633	981907	DRILL BIT D25.0X505 (HEX. SHANK TYPE)	1
634	981895	DRILL BIT D32.0X280 (HEX. SHANK TYPE)	1
635	981909	DRILL BIT D32.0X505 (HEX. SHANK TYPE)	1
636	981896	DRILL BIT D38.0X280 (HEX. SHANK TYPE)	1
637	981910	DRILL BIT D38.0X505 (HEX. SHANK TYPE)	1
638	981911	TAPER SHANK ADAPTER NO.1 (W/O COTTER)	1
639	981912	TAPER SHANK ADAPTER NO.2 (W/O COTTER)	1
640	981913	TAPER SHANK ADAPTER NO.1 (W/COTTER)	1
642	944477	COTTER	1
643	981919	ANCHOR ADAPTER NO.30 ROTATION AND IMPACT	1
644	981920	ANCHOR ADAPTER NO.40 ROTATION AND IMPACT	1
645	981921	ANCHOR ADAPTER NO.50 ROTATION AND IMPACT	1
646	981929	ANCHOR ADAPTER NO.30	1
647	981930	ANCHOR ADAPTER NO.40	1
648	981931	ANCHOR ADAPTER NO.50	1
650	944574	DRIFT KEY	1
651	981922	BULL POINT 280MM (ROUND SHANK TYPE)	1
652	981923	BULL POINT 450MM (ROUND SHANK TYPE)	1
653	981925	COLD CHISEL 280MM (ROUND SHANK TYPE)	1
654	981926	COLD CHISEL 450MM (ROUND SHANK TYPE)	1
655	944460	TAPER SHANK DRILL BIT D11X100	1
656	944461	TAPER SHANK DRILL BIT D12.3X110	1
657	993038	TAPER SHANK DRILL BIT D12.7X110	1
658	944462	TAPER SHANK DRILL BIT D14.3X110	1
659	944500	TAPER SHANK DRILL BIT D14.5X110	1
660	944463	TAPER SHANK DRILL BIT D17.5X120	1
661	944464	TAPER SHANK DRILL BIT D21.5X140	1
662A	318085	SYRINGE (BELLOWS TYPE)	1
663	955009	OMALA OIL (1 LITER)	1
664	971105	ADHESIVE (HERME SEAL NO.201)	1
665	980734	SIDE HANDLE	1
666	956126	SCOOP 405L (ROUND SHANK TYPE)	1

667	980982	OIL FELT 8.5MM	1
668	998561	CHEMICAL ANCHOR ADAPTER 12.7MMX160L	1
669	998562	CHEMICAL ANCHOR ADAPTER 19MMX170L	1
670	320859	SYRINGE (BLOW-OUT BULB TYPE)	1
671	324896	OIL FELT	1



形 名
PR-38E

Rev.3